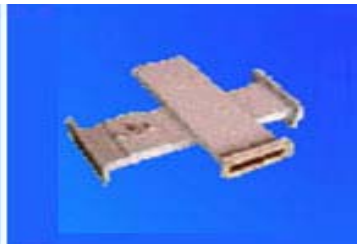
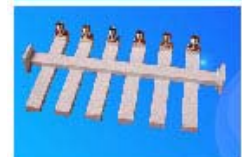


Rectangular Waveguide Cross Guide Couplers

**LOWEST VSWR
LOW INSERTION LOSS
NARROW AND BROAD BANDWIDTHS**

CMI's Cross Guide Couplers have specially-designed coupling apertures that produce flat coupling over the full waveguide frequency band. The couplers are symmetrical four-port devices; either arm may be used as the main line. They are also available with built-in terminations, integral coaxial adapters, and terminated dual secondary arms (dual directional couplers). These rugged, moderate-directivity couplers are ideal where the high directivity of the longer broad-wall multi-hole couplers is not required. The units are well-suited for many microwave applications including injection, reflection measurement, attenuation, and isolation. And because of their compactness and simplicity of construction, they have found wide acceptance in production applications. Assemblies are furnished with an aluminum or brass housing. Finish is chromate conversion per MIL-C-5541, Class 3, painted with gray epoxy enamel.



Coupling: 20, 30, 40, 50 dB

Directivity: typically 18 dB min

Coupling Mean: ± 4.0 dB

Frequency Sensitivity:

20 = ± 1.2 dB max.

20 = ± 1.2 dB max.

30 = ± 1.0 dB max.

40 = ± 0.8 dB max.

50 = ± 0.6 dB max.

VSWR:

Waveguide Ports 1.05 max.

Coaxial Ports std.; 1.25, 1.10, 1.15 avail.

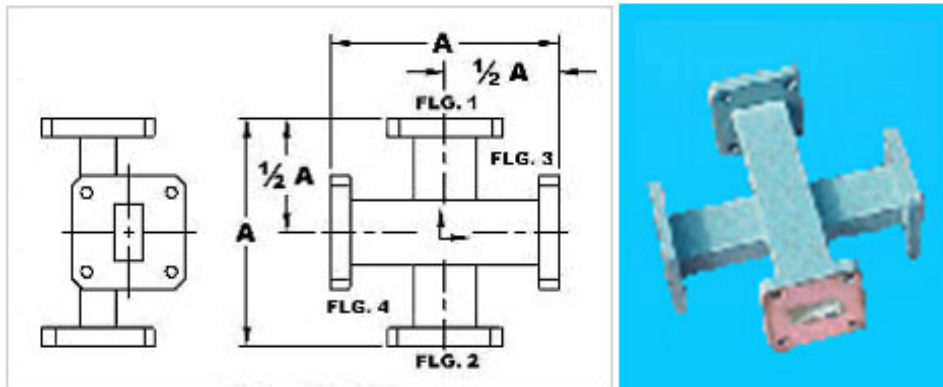
CALL OUR SALES DEPARTMENT FOR MORE INFORMATION OR VARIATIONS OF THIS PRODUCT.

**Corry Micronics, Inc. One Plastics Rd. - Corry, PA 16407
(814) 664-7728 Fax (814) 664-4582 www.cormic.com**

Corry Micronics Inc. herein referred to CMI, believes this information to be accurate, but makes no warranties, expressed or implied as to the accuracy of this document. CMI assumes no liability for any injury, loss, damage, direct or consequential arising from the use of our products. User assumes all risk whatsoever in connection with it's intended use. CMI also reserves the right to change this document without notice.

The Model numbers listed below are the most common model numbers for size, material, coupling, and flanges however; these models can easily be altered to accommodate customer needs by following the Model # code system. In addition the customer must choose the coupling value appropriate for application (20,30dB, 40dB, or 50dB) and insert it in the model number where dB is listed.

Crossguide Directional Coupler- 4 Waveguide Ports



Typical Part #:	WGSize-4P	Material	-Coupling	-Flange1	-Flange2	-Flange3	-Flange4
Basic Model#:							
Material:	A=Alum, B=Brass						
Coupling (dB):	30, 40, or 50dB						
Flange1:	1=CPRG, 2=CPRF, 6=Cover, 7=Choke						
Flange2:	1=CPRG, 2=CPRF, 6=Cover, 7=Choke						
Flange3:	1=CPRG, 2=CPRF, 6=Cover, 7=Choke						
Flange4:	1=CPRG, 2=CPRF, 6=Cover, 7=Choke						

CALL OUR SALES DEPARTMENT FOR MORE INFORMATION OR VARIATIONS OF THIS PRODUCT.

**Corry Micronics, Inc. One Plastics Rd. - Corry, PA 16407
(814) 664-7728 Fax (814) 664-4582 www.cormic.com**

Corry Micronics Inc. herein referred to CMI, believes this information to be accurate, but makes no warranties, expressed or implied as to the accuracy of this document. CMI assumes no liability for any injury, loss, damage, direct or consequential arising from the use of our products. User assumes all risk whatsoever in connection with it's intended use. CMI also reserves the right to change this document without notice.

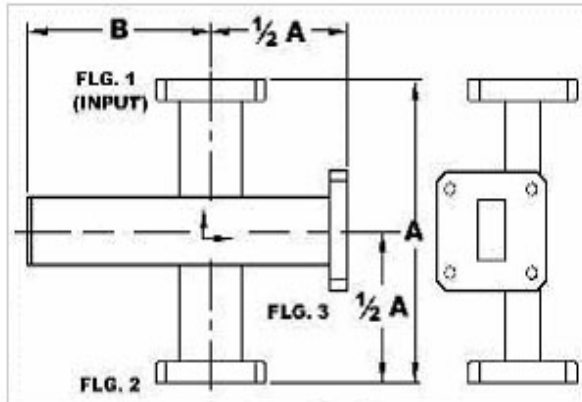
Standard Models				
WG Size	Freq GHz	Standard Model No.*	Dim A (Inches) Dim	B (Inches)
WR430	1.70 - 2.60	CMI430-3PA-dB-2-2-2	7.50	8.00
WR284	2.60 - 3.95	CMI284-3PA-dB-6-6-6	7.50	5.00
WR229	3.30 - 4.90	CMI229-3PB-dB-2-2-2	7.00	4.75
WR187	3.95 - 5.85	CMI187-3PA-dB-6-6-6	6.50	4.50
WR159	4.90 - 7.05	CMI159-3PB-dB-2-2-2	6.00	4.00
WR137	5.85 - 8.20	CMI137-3PB-dB-2-2-2	6.00	4.00
WR112	7.05 - 10.0	CMI112-3PB-dB-6-6-6	4.20	3.00
WR90	8.20 - 12.4	CMI90-3PA-dB-6-6-6	4.00	2.75
WR75	10.0 - 15.0	CMI75-3PB-dB-6-6-6	3.75	2.50
WR62	12.4 - 18.0	CMI62-3PB-dB-6-6-6	3.50	2.37
WR51	15.0 - 22.0	CMI51-3PB-dB-6-6-6	3.10	2.25
WR42	18.0 - 26.5	CMI42-3PB-dB-6-6-6	2.20	1.50
WR34	22.0 - 33.0	CMI34-3PB-dB-6-6-6	2.20	1.50
WR28	26.5 - 40.0	CMI28-3PB-dB-6-6-6	2.00	1.50

CALL OUR SALES DEPARTMENT FOR MORE INFORMATION OR VARIATIONS OF THIS PRODUCT.

**Corry Micronics, Inc. One Plastics Rd. - Corry, PA 16407
(814) 664-7728 Fax (814) 664-4582 www.cormic.com**

Corry Micronics Inc. herein referred to CMI, believes this information to be accurate, but makes no warranties, expressed or implied as to the accuracy of this document. CMI assumes no liability for any injury, loss, damage, direct or consequential arising from the use of our products. User assumes all risk whatsoever in connection with it's intended use. CMI also reserves the right to change this document without notice.

Crossguide Directional Coupler- 3 Waveguide Ports



Typical Part #: WGSize-3P Material -Coupling -Flange1 -Flange2 -Flange3

Basic Model#: _____

Material: A=Alum, B=Brass _____

Coupling (dB): 30, 40, or 50dB _____

Flange1: 1=CPRG, 2=CPRF, 6=Cover, 7=Choke _____

Flange2: 1=CPRG, 2=CPRF, 6=Cover, 7=Choke _____

Flange3: 1=CPRG, 2=CPRF, 6=Cover, 7=Choke _____

CALL OUR SALES DEPARTMENT FOR MORE INFORMATION OR VARIATIONS OF THIS PRODUCT.

**Corry Micronics, Inc. One Plastics Rd. - Corry, PA 16407
(814) 664-7728 Fax (814) 664-4582 www.cormic.com**

Corry Micronics Inc. herein referred to CMI, believes this information to be accurate, but makes no warranties, expressed or implied as to the accuracy of this document. CMI assumes no liability for any injury, loss, damage, direct or consequential arising from the use of our products. User assumes all risk whatsoever in connection with it's intended use. CMI also reserves the right to change this document without notice.

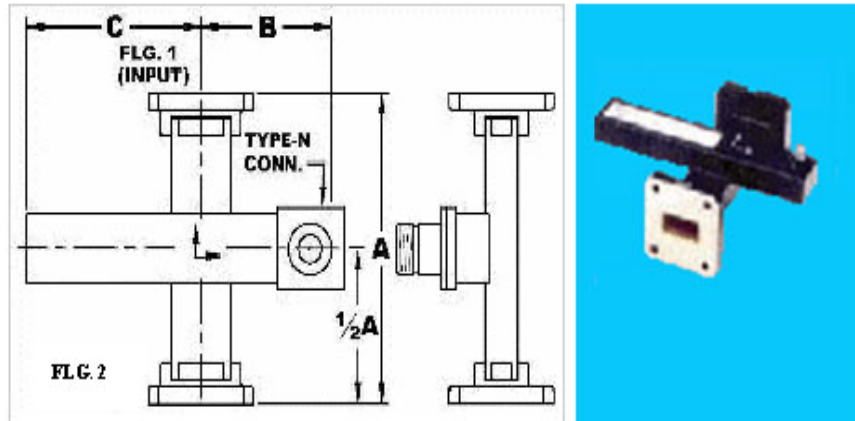
Standard Models				
WG Size	Freq GHz	Standard Model No.*	Dim A (Inches) Dim	B (Inches)
WR430	1.70 - 2.60	CMI430-3PA-dB-2-2-2	7.50	8.00
WR284	2.60 - 3.95	CMI284-3PA-dB-6-6-6	7.50	5.00
WR229	3.30 - 4.90	CMI229-3PB-dB-2-2-2	7.00	4.75
WR187	3.95 - 5.85	CMI187-3PA-dB-6-6-6	6.50	4.50
WR159	4.90 - 7.05	CMI159-3PB-dB-2-2-2	6.00	4.00
WR137	5.85 - 8.20	CMI137-3PB-dB-2-2-2	6.00	4.00
WR112	7.05 - 10.0	CMI112-3PB-dB-6-6-6	4.20	3.00
WR90	8.20 - 12.4	CMI90-3PA-dB-6-6-6	4.00	2.75
WR75	10.0 - 15.0	CMI75-3PB-dB-6-6-6	3.75	2.50
WR62	12.4 - 18.0	CMI62-3PB-dB-6-6-6	3.50	2.37
WR51	15.0 - 22.0	CMI51-3PB-dB-6-6-6	3.10	2.25
WR42	18.0 - 26.5	CMI42-3PB-dB-6-6-6	2.20	1.50
WR34	22.0 - 33.0	CMI34-3PB-dB-6-6-6	2.20	1.50
WR28	26.5 - 40.0	CMI28-3PB-dB-6-6-6	2.00	1.50

CALL OUR SALES DEPARTMENT FOR MORE INFORMATION OR VARIATIONS OF THIS PRODUCT.

**Corry Micronics, Inc. One Plastics Rd. - Corry, PA 16407
(814) 664-7728 Fax (814) 664-4582 www.cormic.com**

Corry Micronics Inc. herein referred to CMI, believes this information to be accurate, but makes no warranties, expressed or implied as to the accuracy of this document. CMI assumes no liability for any injury, loss, damage, direct or consequential arising from the use of our products. User assumes all risk whatsoever in connection with it's intended use. CMI also reserves the right to change this document without notice.

Crossguide Directional Coupler- 2 Waveguide Ports 1 Type N/SMA (F) Coax Port



Typical Part #:

WGSize-2PN/S Material -Coupling -Flange1 -Flange2

Basic Model#:				
Material:	A=Alum, B=Brass			
Coupling (dB):	30, 40, or 50dB			
Flange1:	1=CPRG, 2=CPRF, 6=Cover, 7=Choke			
Flange2:	1=CPRG, 2=CPRF, 6=Cover, 7=Choke			

Example:

CMI187-2PNA-40-6-6 is a WR187 -2 WG port N connector Alum mat'l -40dB -Cover Flg -Cover Flg

CMI187-2PSA-40-6-6 is a WR187 -2 WG port SMA connector Alum mat'l -40dB -Cover Flg -Cover Flg

CALL OUR SALES DEPARTMENT FOR MORE INFORMATION OR VARIATIONS OF THIS PRODUCT.

**Corry Micronics, Inc. One Plastics Rd. - Corry, PA 16407
(814) 664-7728 Fax (814) 664-4582 www.cormic.com**

Corry Micronics Inc. herein referred to CMI, believes this information to be accurate, but makes no warranties, expressed or implied as to the accuracy of this document. CMI assumes no liability for any injury, loss, damage, direct or consequential arising from the use of our products. User assumes all risk whatsoever in connection with it's intended use. CMI also reserves the right to change this document without notice.

Standard Models					
WG Size	Freq GHz	Standard Model No.*	Dim A (Inches)	Dim B (Inches)	Dim C (Inches)
WR430	1.70 - 2.60	CMI430-2PN/SA-dB-2-2	7.50	5.00	8.00
WR284	2.60 - 3.95	CMI284-2PN/SA-dB-6-6	7.50	3.75	5.00
WR229	3.30 - 4.90	CMI229-2PN/SB-dB-2-2	7.00	3.50	4.75
WR187	3.95 - 5.85	CMI187-2PN/SA-dB-6-6	6.50	3.25	4.50
WR159	4.90 - 7.05	CMI159-2PN/SB-dB-2-2	6.00	3.00	4.00
WR137	5.85 - 8.20	CMI137-2PN/SB-dB-2-2	6.00	3.00	4.00
WR112	7.05 - 10.0	CMI112-2PN/SB-dB-6-6	4.20	2.10	3.00
WR90	8.20 - 12.4	CMI90-2PN/SA-dB-6-6	4.00	2.00	2.75
WR75	10.0 - 15.0	CMI75-2PN/SB-dB-6-6	3.75	1.87	2.50
WR62	12.4 - 18.0	CMI62-2PN/SB-dB-6-6	3.50	1.75	2.37

CALL OUR SALES DEPARTMENT FOR MORE INFORMATION OR VARIATIONS OF THIS PRODUCT.

Corry Micronics, Inc. One Plastics Rd. - Corry, PA 16407
(814) 664-7728 Fax (814) 664-4582 www.cormic.com

Corry Micronics Inc. herein referred to CMI, believes this information to be accurate, but makes no warranties, expressed or implied as to the accuracy of this document. CMI assumes no liability for any injury, loss, damage, direct or consequential arising from the use of our products. User assumes all risk whatsoever in connection with it's intended use. CMI also reserves the right to change this document without notice.