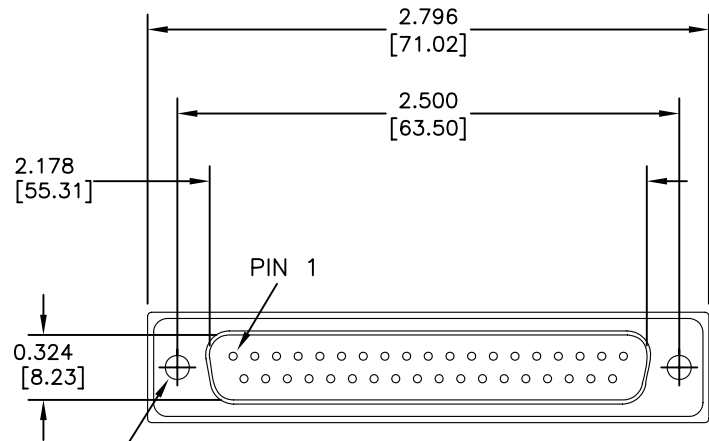
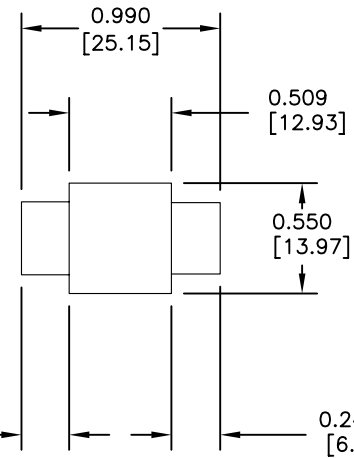


SIZE	FILTER TYPE	CAPACITANCE (pF)		VOLTAGE		CURRENT RATING	CONTACT RESISTANCE	MINIMUM ATTENUATION (dB)							
		MIN	MAX	WVDC	DWV			5 MHz	10 MHz	20 MHz	50 MHz	100 MHz	200 MHz	500 MHz	1 GHz
37	C	300	450	100	250	5A	.010 Ohms			2	7	13	20	29	35

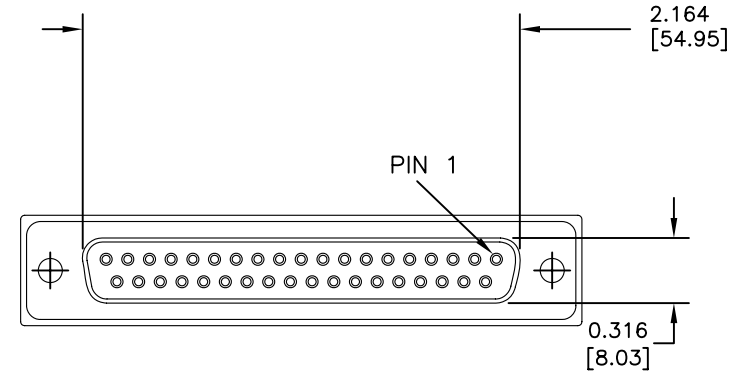


37 PIN MALE

MOUNTING HOLE
 FOR #4-40
 THUMBSCREW
 2 PLACES



37 PIN FEMALE



NOTES

- 1) SHELLS: STEEL, TIN PLATED.
- 2) CONTACTS: COPPER ALLOY, GOLD PLATED, .000010" TYP.
- 3) INSULATORS AND BACK COVER: PLASTIC, UL94-V0.
- 4) MATING SHELL (MALE SIDE) HAS GROUNDING DIMPLES.
- 5) OPERATING TEMPERATURE: -55°C TO +125°C.
- 6) MARKING: PART NUMBER IS INK STAMPED ON REAR COVER.
- 7) EACH UNIT INCLUDES TWO #4-40 THUMBSCREWS (NOT SHOWN). EACH THUMBSCREW IS CAPTIVE WITHIN THE MOUNTING HOLES.

DATE	C.O. REV																		
08/12/05	0																		

ALL DIMENSIONS ARE
 IN INCHES (mm)

GENERAL TOLERANCES
 UNLESS OTHERWISE SPECIFIED

DECIMAL: ± .025 [.64]
 ANGLES: ± 1°

CAGE CODE
 15717



**CORRY
Micronics**

One Plastics Rd. - Corry, PA 16407
 (814) 664-7728 FAX (814) 664-4582
www.cormic.com

Dwg By: RPM
Date: 08/12/05
Chk'd By: RPM

Scale: 1X
File:
Sheet:

37 PIN, ADAPTER, 375 PF "C"
 DSC37-300-R00