

Lötstift gewinkelt 90°, 7.18 mm

Gedrehte Kontakte

90° Solder pin, 7.18 mm

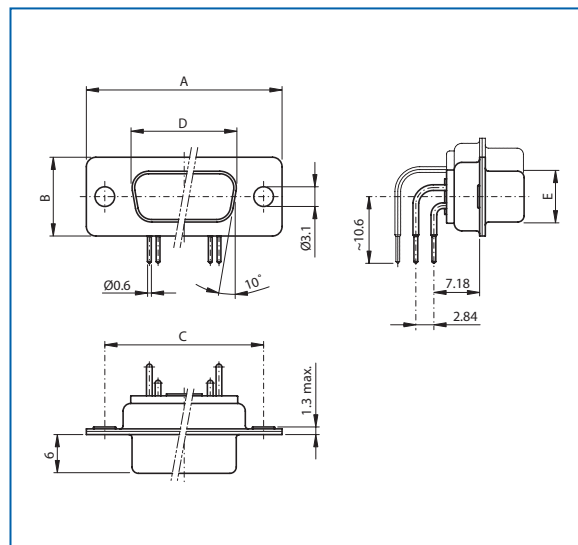
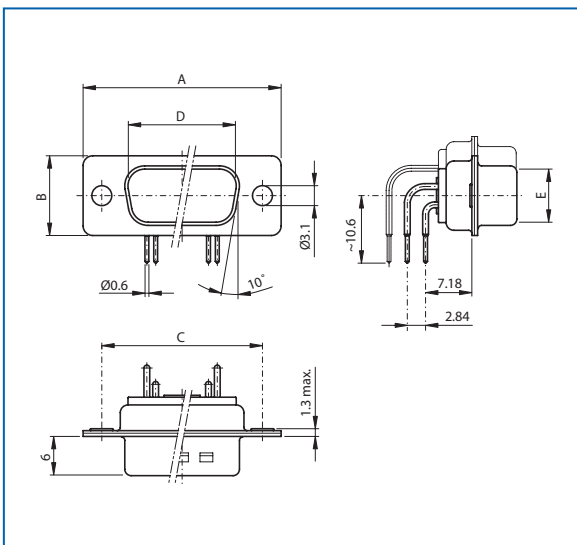
Machined contacts

Stiftleiste

Plug connector

Buchsenleiste

Socket connector



Gehäuse-Nr.

Shell-no.	A	B	C	D	E
DE	30.80	12.40	25.00	16.79	08.23
DA	39.20	12.40	33.30	25.12	08.23
DB	53.10	12.40	47.00	38.84	08.23
DC	69.50	12.40	63.50	55.30	08.23
DD	67.00	15.40	61.10	52.68	10.95

Gehäuse-Nr.

Shell-no.	A	B	C	D	E
DE	30.80	12.40	25.00	16.46	08.02
DA	39.20	12.40	33.30	24.79	08.02
DB	53.10	12.40	47.00	38.50	08.02
DC	69.50	12.40	63.50	54.96	08.02
DD	67.00	15.40	61.10	52.55	10.87



Bestellbezeichnung Order information

* = Auf Anfrage / On request

Polzahl	Sonderkontakte	Gehäuse chromatiert, Stift	Gehäuse chromatiert, Buchse
No. of pos.	Special contacts	Chromated shell, plug	Chromated shell, socket
05	1	DT 5W1 PYCA x	DT 5W1 SYCA x
02	2	* DT 2W2 PS x	* DT 2W2 SP x
03	3	DT 3W3 P x	DT 3W3 S x
03	3	DT 3W3 PSP x	DT 3W3 SPS x
07	2	DT 7W2 PYCA x	DT 7W2 SYCA x
11	1	DT 11W1 PYCA x	DT 11W1 SYCA x
05	5	DT 5W5 P x	DT 5W5 S x
09	4	DT 9W4 PYCA x	DT 9W4 SYCA x
13	3	DT 13W3 PYCA x	DT 13W3 SYCA x
17	2	DT 17W2 PYCA x	DT 17W2 SYCA x
21	1	DT 21W1 PYCA x	DT 21W1 SYCA x
08	8	DT 8W8 P x	DT 8W8 S x
13	6	DT 13W6 PYCA x	DT 13W6 SYCA x
17	5	DT 17W5 PYCA x	DT 17W5 SYCA x
21	4	DT 21WA4 PYCA x	DT 21WA4 SYCA x
25	3	DT 25W3 PYCA x	DT 25W3 SYCA x
27	2	DT 27W2 PYCA x	DT 27W2 SYCA x
24	7	DT 24W7 PYCA x	DT 24W7 SYCA x
36	4	DT 36W4 PYCA x	DT 36W4 SYCA x
43	2	DT 43W2 PYCA x	DT 43W2 SYCA x
Polzahl	Sonderkontakte	Gehäuse verzinkt, Stift	Gehäuse verzinkt, Buchse
No. of pos.	Special contacts	Tinned shell, plug	Tinned shell, socket
05	1	DTS 5W1 PYCA x	DTS 5W1 SYCA x
02	2	* DTS 2W2 PS x	* DTS 2W2 SP x
03	3	DTS 3W3 P x	DTS 3W3 S x
03	3	DTS 3W3 PSP x	DTS 3W3 SPS x
07	2	DTS 7W2 PYCA x	DTS 7W2 SYCA x
11	1	DTS 11W1 PYCA x	DTS 11W1 SYCA x
05	5	DTS 5W5 P x	DTS 5W5 S x
09	4	DTS 9W4 PYCA x	DTS 9W4 SYCA x
13	3	DTS 13W3 PYCA x	DTS 13W3 SYCA x
17	2	DTS 17W2 PYCA x	DTS 17W2 SYCA x
21	1	DTS 21W1 PYCA x	DTS 21W1 SYCA x
08	8	DTS 8W8 P x	DTS 8W8 S x
13	6	DTS 13W6 PYCA x	DTS 13W6 SYCA x
17	5	DTS 17W5 PYCA x	DTS 17W5 SYCA x
21	4	DTS 21WA4 PYCA x	DTS 21WA4 SYCA x
25	3	DTS 25W3 PYCA x	DTS 25W3 SYCA x
27	2	DTS 27W2 PYCA x	DTS 27W2 SYCA x
24	7	DTS 24W7 PYCA x	DTS 24W7 SYCA x
36	4	DTS 36W4 PYCA x	DTS 36W4 SYCA x
43	2	DTS 43W2 PYCA x	DTS 43W2 SYCA x

Anstelle des x am Ende der Artikelbezeichnung
die gewünschte Güteklasse 1 oder 2 einfügen.
Andere Vergoldungen auf Anfrage.

To request class 1 or 2 quality, replace the x at
the end of the part no.
Other gold plating on request.

Montagen am Ende des Kapitels
Assemblies at the end of the chapter

D-Subminiatur Combi Steckverbinder
D-Subminiature Combi Connectors