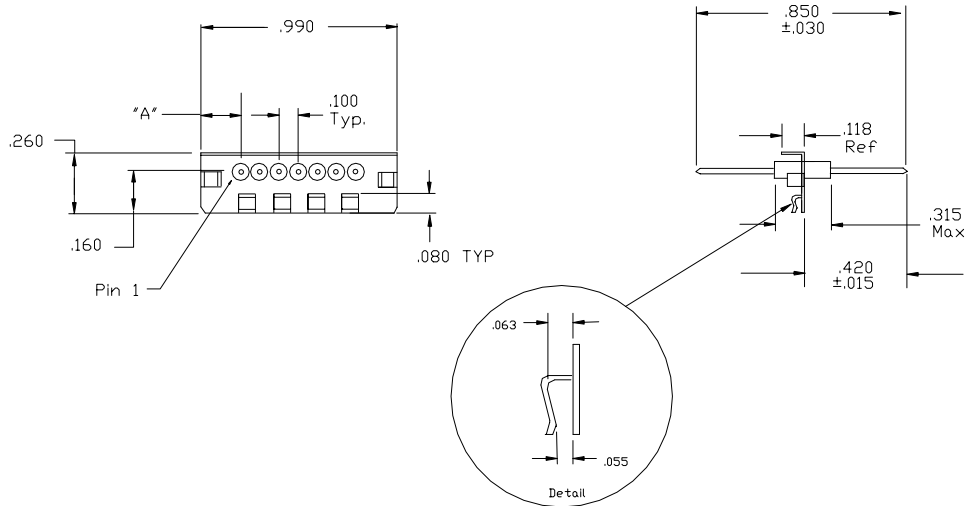


## FP08 Style Filter Plate



### Materials:

Plate: Copper Alloy, Matte Tin Plated  
Leads: Copper Alloy, .025" ± .002" Dia, Gold Plated

Working Voltage: 100 VDC  
Max. Current: 5 Amps DC  
Insulation Resistance @ 25 °C: 10 GΩ Min.  
Operating Temperature: -55 °C - +125 °C

No. of Filtered Lines	"A"
1	.495
2 or 3	.395
4 or 5	.295
6 or 7	.195

Filtering Options: See Filter Options Chart  
Lead Configurations: See Lead Options Chart

### Ordering Information:

Style	# of Rows	# of Filters Per Row	Lead Configuration	Filter Design
FP08 -	1 (1 or 2)	07 (01 thru 07)	- S (S,L,R,or B)	- Q (See Filter Options)

Example: Part Number: FP08 -107-SQ  
Description: FP08 Style Plate, 1 row of 7, Straight Leads, 1000 pF "Pi" Circuit.

Only available in single row.  
For custom lead configurations consult the factory.

**CALL OUR SALES DEPARTMENT FOR MORE INFORMATION OR VARIATIONS OF THIS PRODUCT.**

**Corry Micronics, Inc. One Plastics Rd. - Corry, PA 16407 (814) 664-7728 Fax (814) 664-4582**

Corry Micronics Inc. herein referred to CMI, believes this information to be accurate, but makes no warranties, expressed or implied as to the accuracy of this document. CMI assumes no liability for any injury, loss, damage, direct or consequential arising from the use of our products. User assumes all risk whatsoever in connection with it's intended use. CMI also reserves the right to change this document without notice.