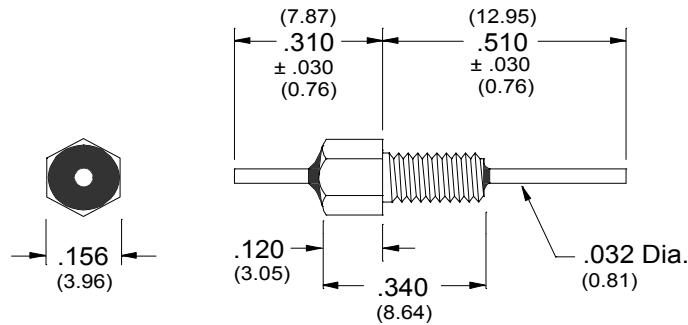


### FT12-06-XXXX FEEDTHRU CAPACITOR



4-40 UNC-2A THREAD

(X.XX) = MILLIMETERS

**Materials:**

Case: Silver Plated Per QQ-S-365A

Lead: Silver Plated Per QQ-S-365A

Epoxy Sealed, Both Ends

Insulation Resistance @ 25 °C: 10 GΩ Min.

Dissipation Factor: .035 Max.

Max. Current: 10 Amps DC

Operating Temperature: -55 °C - +125 °C

Recommended Mounting Torque: 1.5 Inch/Lbs Max.

PART NUMBER	CAPACITANCE	TOLERANCE	WVDC	DWV	TYPICAL NO LOAD INSERTION LOSS (dB) @ 25 °C PER MIL-STD-220			
					1 MHZ	10 MHZ	100 MHZ	1GHz
FT12-06-101M	100 pF	± 20%	200	500	-	-	5	23
FT12-06-102P	1,000 pF	-0% +100%	200	500	-	5	20	28
FT12-06-152P	1,500 pF	-0% +100%	200	500	-	5	25	30
FT12-06-302P	3,000 pF	-0% +100%	200	500	-	10	30	42
FT12-06-502P	5,000 pF	-0% +100%	200	500	-	15	35	42

**CALL OUR SALES DEPARTMENT FOR MORE INFORMATION OR VARIATIONS OF THIS PRODUCT.**

**Corry Micronics, Inc. One Plastics Rd. - Corry, PA 16407  
(814) 664-7728 Fax (814) 664-4582 [www.cormic.com](http://www.cormic.com)**

Corry Micronics Inc. herein referred to CMI, believes this information to be accurate, but makes no warranties, expressed or implied as to the accuracy of this document. CMI assumes no liability for any injury, loss, damage, direct or consequential arising from the use of our products. User assumes all risk whatsoever in connection with it's intended use. CMI also reserves the right to change this document without notice.