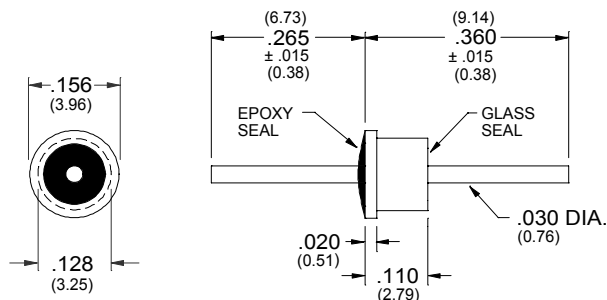


GC128-03-XXXX GLASS SEALED SOLDER-IN CAPACITOR



(X.XX) = MILLIMETERS

Materials:

Case: Gold Plated per Mil-G-45204C, Class 00

Lead: Gold Plated per Mil-G-45204C, Class 00

Insulation Resistance @ 25 °C: 10 GΩ Min.

Dissipation Factor: .035 Max.

Max. Current: 5 Amps DC

Operating Temperature: -55 °C - +125 °C

Maximum Soldering Temperature: 260 °C

PART NUMBER	CAPACITANCE	TOLERANCE	WVDC	DWV	TYPICAL NO LOAD INSERTION LOSS (dB) @ 25 °C PER MIL-STD-220			
					1 MHZ	10 MHZ	100 MHZ	1GHz
GC128-03-000	5 pF Max.	-	100	250	-	-	-	-
GC128-03-101P	100 pF	-0% +100%	100	250	-	-	3	20
GC128-03-501P	500 pF	-0% +100%	100	250	-	-	15	35
GC128-03-102P	1,000 pF	-0% +100%	100	250	-	5	20	35
GC128-03-502P	5,000 pF	-0% +100%	100	250	-	15	30	45
GC128-03-273P	27,000 pF	-0% +100%	50	125	10	28	42	65

CALL OUR SALES DEPARTMENT FOR MORE INFORMATION OR VARIATIONS OF THIS PRODUCT.

**Corry Micronics, Inc. One Plastics Rd. - Corry, PA 16407
(814) 664-7728 Fax (814) 664-4582 www.cormic.com**

Corry Micronics Inc. herein referred to CMI, believes this information to be accurate, but makes no warranties, expressed or implied as to the accuracy of this document. CMI assumes no liability for any injury, loss, damage, direct or consequential arising from the use of our products. User assumes all risk whatsoever in connection with it's intended use. CMI also reserves the right to change this document without notice.