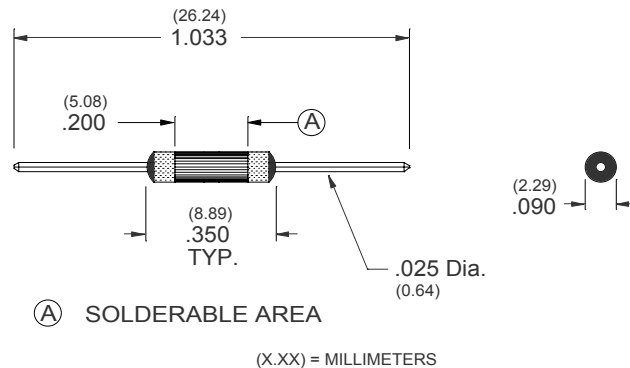


CORRY Micronics

PRODUCT SPECIFICATION

PC09-01-XXXX FEEDTHRU CERAMIC CAPACITOR PIN



Capacitance Available from 5pF to 5000 pF
Working Voltage DC: 100 (Available up to 500 VDC)
Dielectric Withstanding Voltage: 250 VDC, 2 Seconds
Insulation Resistance @ 25 °C : 10 GΩ Min.
Max. Current: 5 Amps DC
DC Resistance: .01Ω Max.
Operating Temperature: -55 °C - +125 °C

Lead: Phosphor Bronze Alloy #510, Gold Plated Per MIL-G-45204B Class 00

Body Metalization: Fired On Silver (Standard)
Also available with Silver or Gold Plating over a Nickel Barrier.

Recommended Mounting Hole: .096 Diameter.

Recommended Installation: Solder in with Sn62/Pb36/Ag2 Solder.
Do not exceed 400 °F during installation.
Unit also may be installed using a suitable Conductive Epoxy.

Note: When using Fired On Silver Metalization, it is recommended that the unit not to remain at reflow temperature for longer than 30 seconds.

CALL OUR SALES DEPARTMENT FOR MORE INFORMATION OR VARIATIONS OF THIS PRODUCT.

**Corry Micronics, Inc. One Plastics Rd. - Corry, PA 16407
(814) 664-7728 Fax (814) 664-4582 www.cormic.com**

Corry Micronics Inc. herein referred to CMI, believes this information to be accurate, but makes no warranties, expressed or implied as to the accuracy of this document. CMI assumes no liability for any injury, loss, damage, direct or consequential arising from the use of our products. User assumes all risk whatsoever in connection with it's intended use. CMI also reserves the right to change this document without notice.