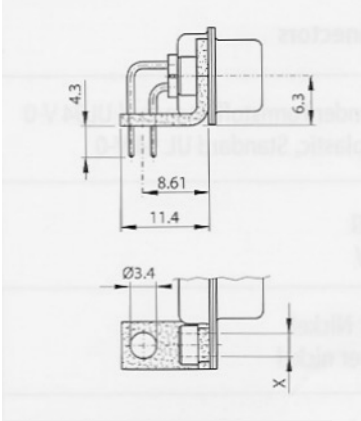


CORRY Micronics

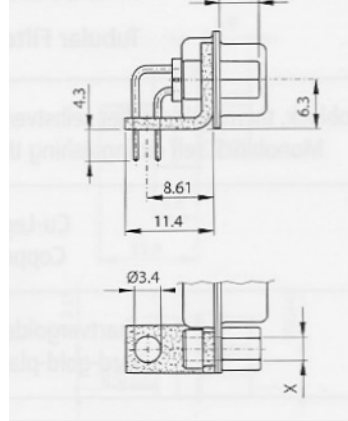
Assemblies (FP) Mounting Height 6.3 mm

M46A x



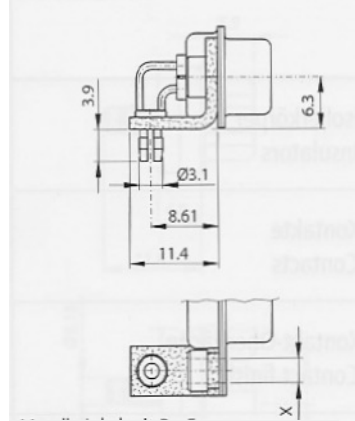
D3 Rivet 3.1 mm
UN Back Nut UNC4-40
M3 Back Nut M3

M46A x x



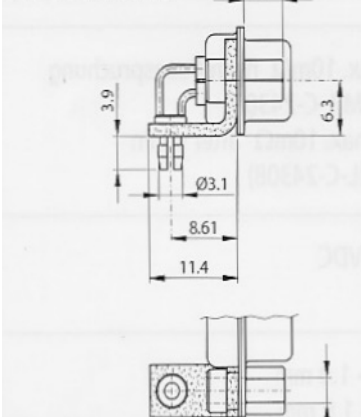
UN B5 Back Nut UNC4-40
Screw 5 mm
UN B6 Back Nut UNC4-40
Screw 6 mm
M3 B5 Back Nut M3
Screw 5 mm
M3 B6 Back Nut
Screw 6 mm

M47A x



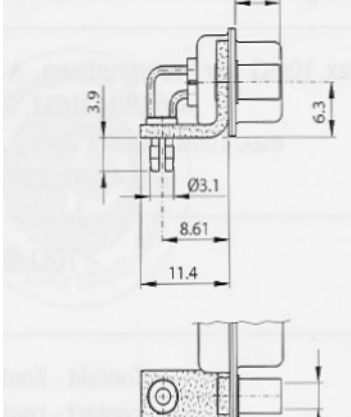
D3 Rivet 3.1 mm
UN Back Nut UNC4-40
M3 Back Nut M3

M47A x x



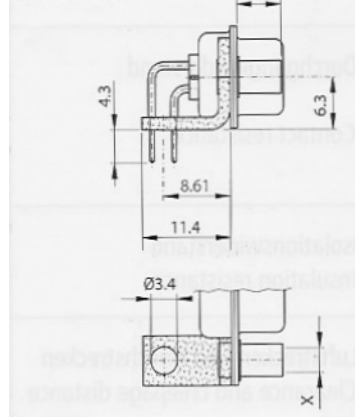
UN B5 Back Nut UNC4-40
Screw 5 mm
UN B6 Back Nut UNC4-40
Screw 6 mm
M3 B5 Back Nut M3
Screw 5 mm
M3 B6 Back Nut
Screw 6 mm

M48A x



UN Front Nut UNC4-40
M3 Front Nut M3

M49A x



UN Front Nut UNC4-40
M3 Front Nut M3