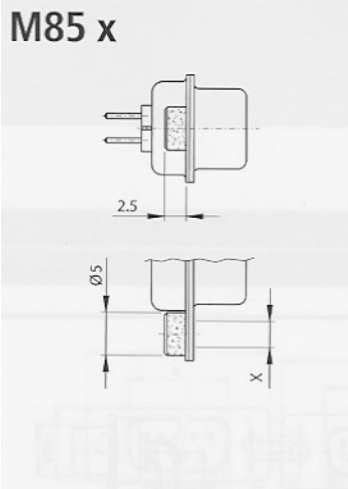
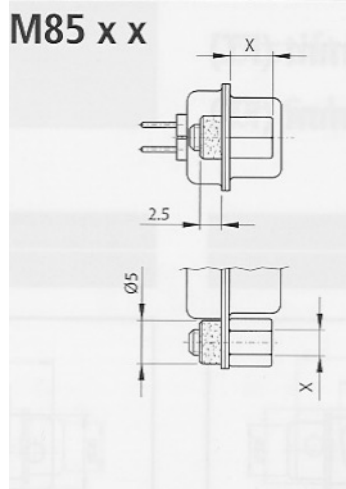


CORRY Micronics

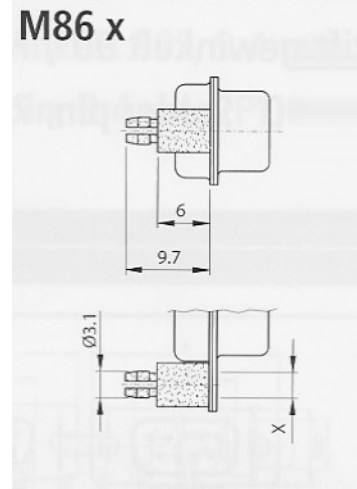
Assemblies (FT)



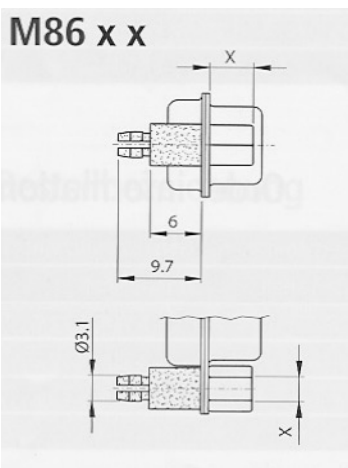
UN Back Nut UNC4-40



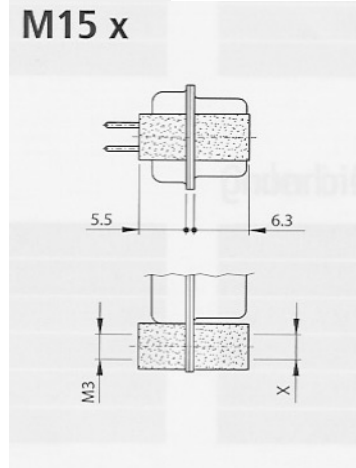
UN B5 Back Nut UNC4-40
Screw 5 mm
UN B6 Back Nut UNC4-40
Screw 6 mm
M3 B5 Back Nut M3
Screw 5 mm
M3 B6 Back Nut
Screw 6 mm



UN Push-On UNC4-40
M3 Push-On M3



UN B5 Push-On UNC4-40
Screw 5 mm
UN B6 Push-On UNC4-40
Screw 6 mm
M3 B5 Push-On M3
Screw 5 mm
M3 B6 Push-On UNC4-40
Screw 6 mm



UN Bolt UNC4-40
M3 Bolt M3