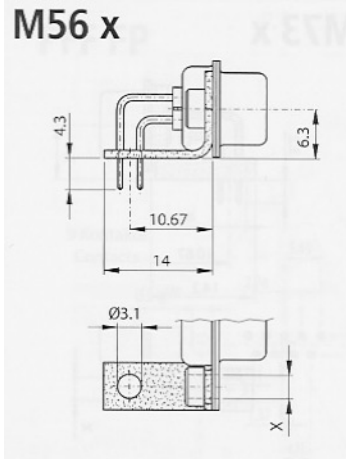
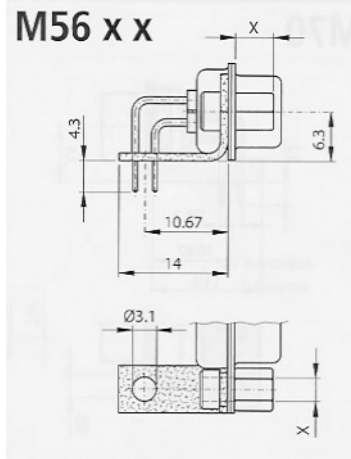


CORRY Micronics

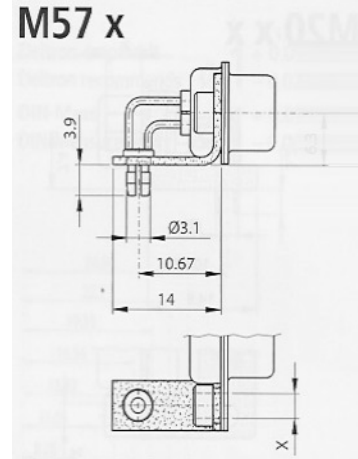
Assemblies (FT) Mounting Height 6.3 mm



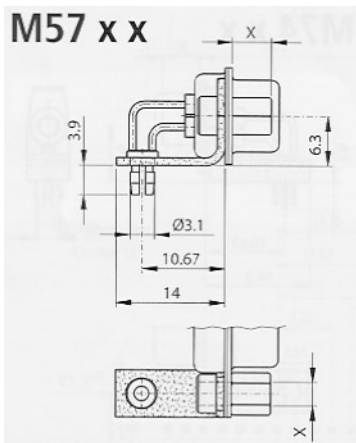
D3 Rivet 3.1 mm
UN Back Nut UNC4-40
M3 Back Nut M3



UN B5 Back Nut UNC4-40
Screw 5 mm
UN B6 Back Nut UNC4-40
Screw 6 mm
M3 B5 Back Nut M3
Screw 5 mm
M3 B6 Back Nut
Screw 6 mm



D3 Rivet 3.1 mm
UN Back Nut UNC4-40
M3 Back Nut M3



UN B5 Back Nut UNC4-40
Screw 5 mm
UN B6 Back Nut UNC4-40
Screw 6 mm
M3 B5 Back Nut M3
Screw 5 mm
M3 B6 Back Nut
Screw 6 mm