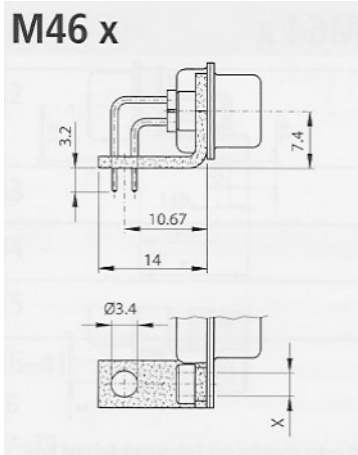
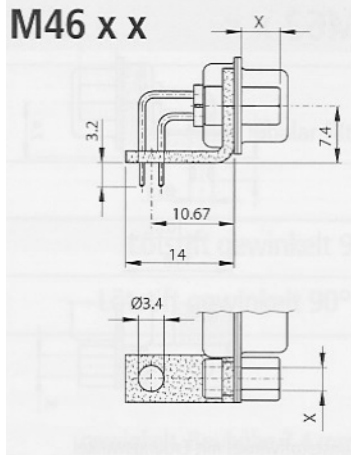


CORRY Micronics

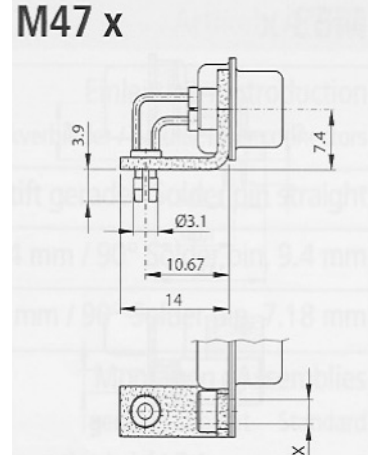
Assemblies (FT) Mounting Height 7.4 mm



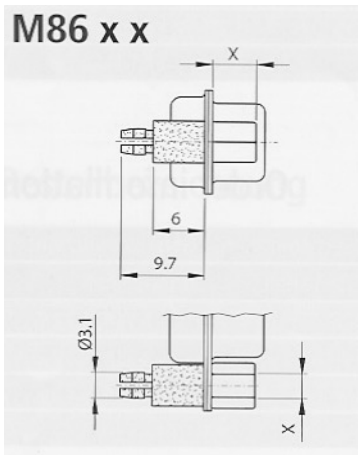
M46 x
D3 Rivet 3.1 mm
UN Back Nut UNC4-40



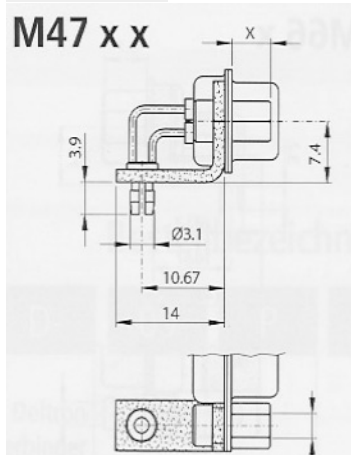
M46 x x
UN B5 Back Nut UNC4-40
Screw 5 mm
UN B6 Back Nut UNC4-40
Screw 6 mm
M3 B5 Back Nut M3
Screw 5 mm
M3 B6 Back Nut
Screw 6 mm



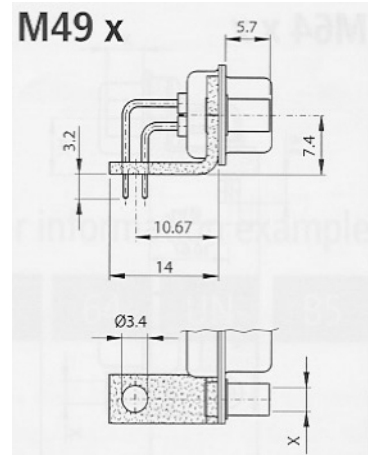
M47 x
D3 Rivet 3.1 mm
UN Back Nut UNC4-40



M86 x x
UN B5 Back Nut UNC4-40
Screw 5 mm
UN B6 Back Nut UNC4-40
Screw 6 mm
M3 B5 Back Nut M3
Screw 5 mm
M3 B6 Back Nut
Screw 6 mm



M47 x x
UN Front Nut UNC4-40
M3 Front Nut M3



M49 x
UN Front Nut UNC4-40
M3 Front Nut M3