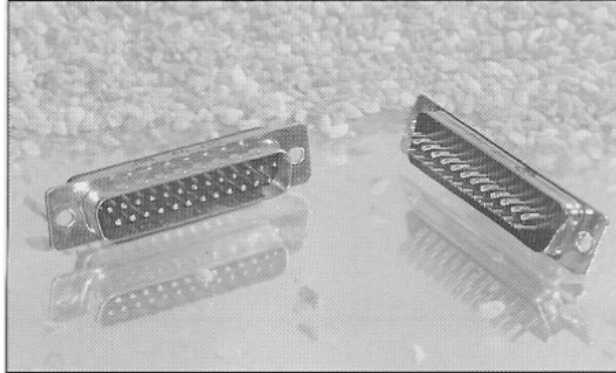
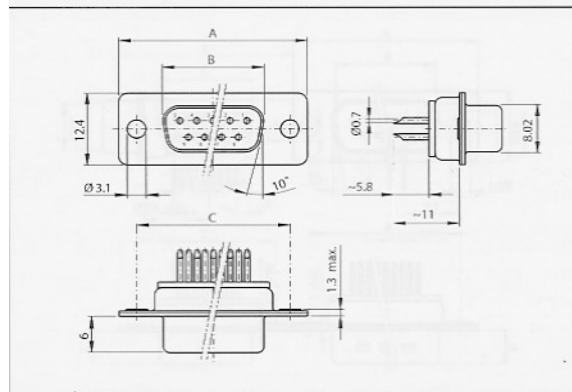


CORRY Micronics

Solder Cup (FP) Suitable for AWG 20



Socket connector



No. of pos.	A	B	C
09	30.80	16.46	25.00
15	39.20	24.79	33.30
25	53.10	38.50	47.00
37	69.50	54.96	63.50

No. of pos.	Chromated shell	Tinned shell
09		D-09 SZ x FP yyy
15		D-15 SZ x FP yyy
25		D-25 SZ x FP yyy
37		D-37 SZ x FP yyy

Replace the yyy with the appropriate filter code

Filtercode	Filter values	Filtercode	Filter values	Filtercode	Filter values	Filtercode	Filter values
331	330 pF	681	680 pF	152	1500 pF	562	5600 pF
471	470 pF	102	1000 pF	222	2200 pF	682	6800 pF

To request gold class 1 or 2 quality, replace the x.