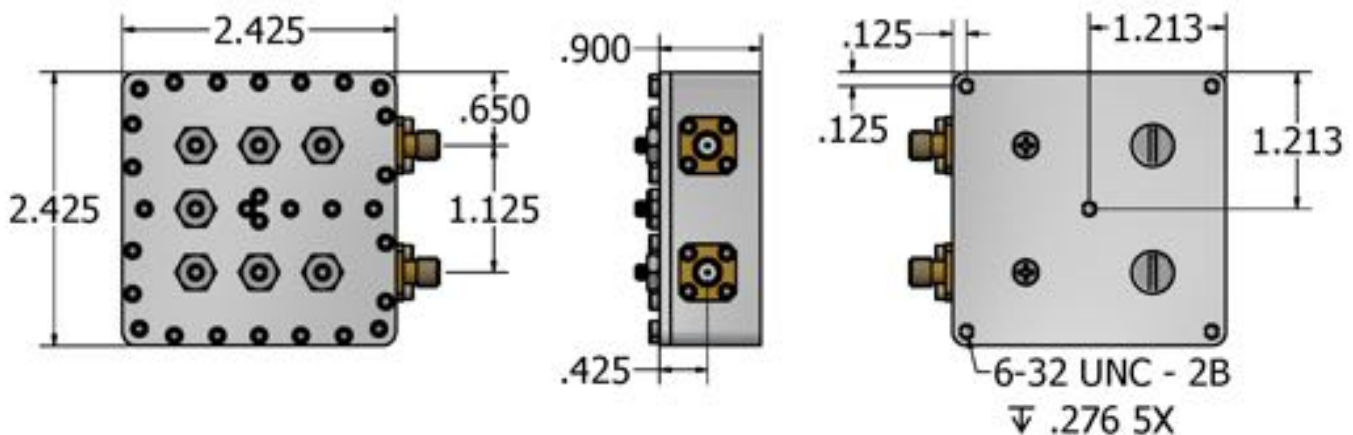


CMIBPF-2450
Lightweight Band Pass Filter

Center Frequency	2450 MHz
Pass Band	90 MHz
Pass Band Insertion Loss	0.8 dB Max
Return Loss	20 dB Min
Rejection	-40 dB @ ± 200 MHz
Power Handling	20 W Min
Impedance	50 Ω
Weight	3.4 oz. w/ Aluminum Lid 2.9 oz. all Plastic
Base Material	Ultem 1000
Operating Temperature	-40°C to +85°C
RF Connectors	SMA - F

All dimensions in Inches



CALL OUR SALES DEPARTMENT FOR MORE INFORMATION OR VARIATIONS OF THIS PRODUCT.

Corry Micronics, Inc. One Plastics Rd. - Corry, PA 16407
(724) 940-7556 ext. 138 Fax (724) 940-7707 www.cormic.com

Corry Micronics Inc. herein referred to CMI, believes this information to be accurate, but makes no warranties, expressed or implied as to the accuracy of this document. CMI assumes no liability for any injury, loss, damage, direct or consequential arising from the use of our products. User assumes all risk whatsoever in connection with it's intended use. CMI also reserves the right to change this document without notice. 5/13/16