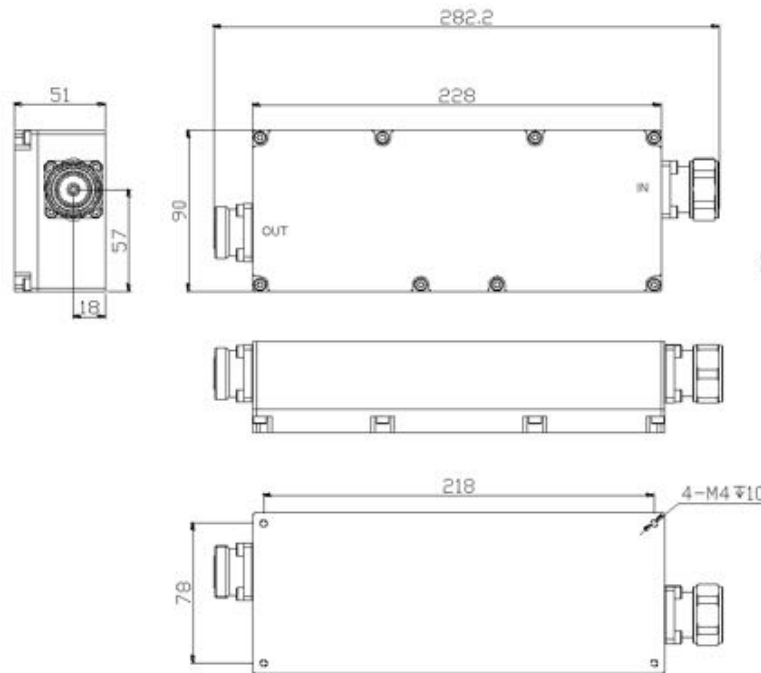


**CMIBPF-925-50B**  
**Band Pass Filter GSM900 Outdoor**

Center Frequency	925 MHz
Pass Band Frequency	890-960 MHz
Insertion Loss @ 890 MHz	4.5 dB Max
Insertion Loss @ 892 – 960 MHz	1.5 dB Max
Pass Band VSWR	1.3:1
Average Input Power	200 W
Rejection: DC – 888.5 MHz	50 dB min.
Impedance	50 Ω
Connector	DIN-Male input / DIN-Female output
Operating Temperature	-30 to +50°C
IP Degree	IP65
Intermodulation Products IIP3	-150 dBc @ +43 dBm X 2

Reference Dimensions, not the final size



Dimensions in mm

**CALL OUR SALES DEPARTMENT FOR MORE INFORMATION OR VARIATIONS OF THIS PRODUCT.**

**Corry Micronics, Inc. One Plastics Rd. - Corry, PA 16407**

**(724) 940-7556 ext. 138 Fax (724) 940-7707 [www.cormic.com](http://www.cormic.com)**

Corry Micronics Inc. herein referred to CMI, believes this information to be accurate, but makes no warranties, expressed or implied as to the accuracy of this document. CMI assumes no liability for any injury, loss, damage, direct or consequential arising from the use of our products. User assumes all risk whatsoever in connection with it's intended use. CMI also reserves the right to change this document without notice. 3/26/15