



CORRY MICRONICS, INC PRODUCT SPECIFICATION

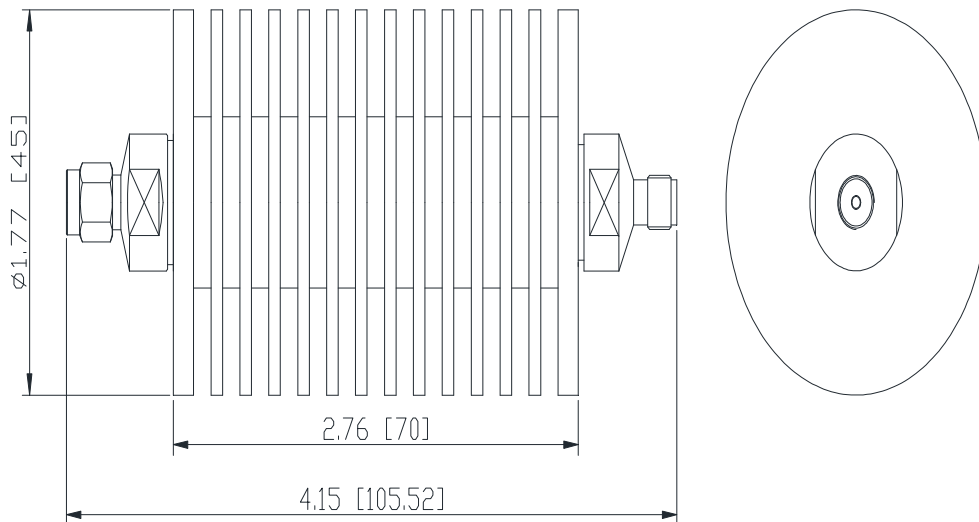
CMIAT-0060A20P25S

Fixed Attenuator

Electrical Specifications

Parameters	Specifications
Frequency Band	DC-6.0 GHz
VSWR	$\leq 1.20:1$
Attenuation	20 dB
Attenuation Accuracy	± 1 dB
Power Handling	25 W CW
Port Connectors	Input Port: SMA-Male Output Port: SMA-Female
Temperature. Range	$-55^{\circ}\text{C}\sim+80^{\circ}\text{C}$
Dimensions	See Attached Drawing (Dimensions are in inches [mm])

Outline Drawing



CALL OUR SALES DEPARTMENT FOR MORE INFORMATION OR VARIATIONS OF THIS PRODUCT.

Corry Micronics, Inc. One Plastics Rd. - Corry, PA 16407
(724) 940-7556 ext. 138 Fax (724) 940-7707 www.cormic.com

Corry Micronics Inc. herein referred to CMI, believes this information to be accurate, but makes no warranties, expressed or implied as to the accuracy of this document. CMI assumes no liability for any injury, loss, damage, direct or consequential arising from the use of our products. User assumes all risk whatsoever in connection with its intended use. CMI also reserves the right to change this document without notice. 08/02/2018