

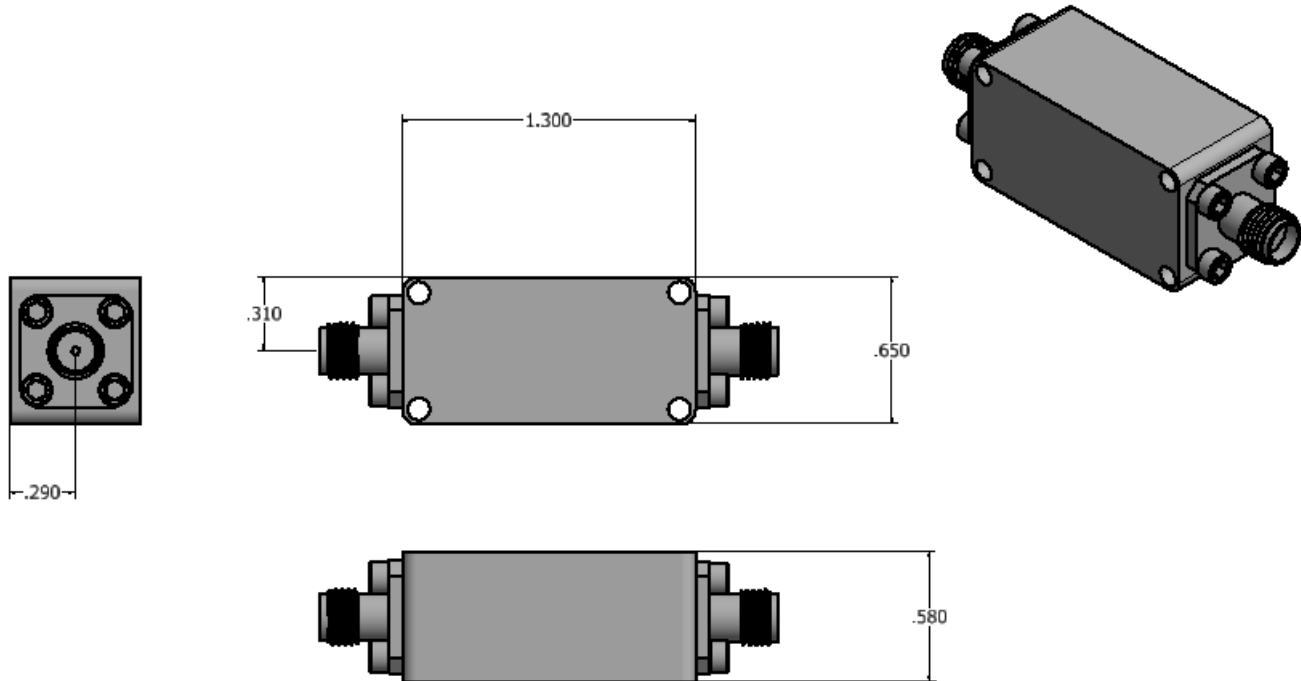


CORRY MICRONICS, INC PRODUCT SPECIFICATION

CMILPF-600MS Low Pass Filter

Parameters	Specifications
Frequency Range	100-600MHz
Insertion Loss	$\leq 0.8\text{dB}$
VSWR	$\geq 1.25:1$
Rejection	$\geq 50\text{dB}@800\text{MHz}$
Power Handling	10Watts
Connectors	SMA-Female
Ports Impedance	50 Ω
Operating Temperature	-40°C ~ +70°C
Configuration	1.3" x .65" x .58" All Dimensions Are In inches

Mechanical

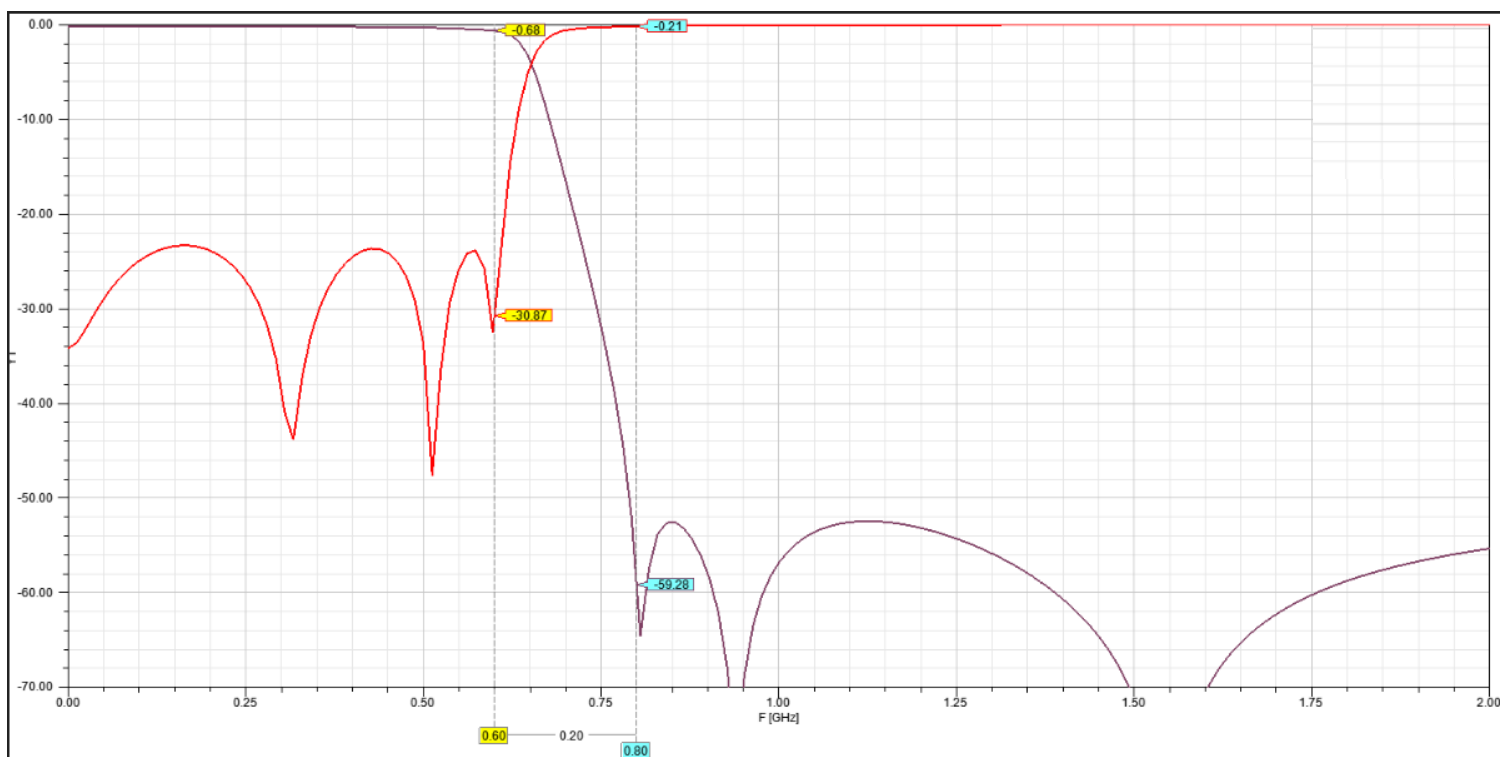


CALL OUR SALES DEPARTMENT FOR MORE INFORMATION OR VARIATIONS OF THIS PRODUCT.

Corry Micronics, Inc. One Plastics Rd. - Corry, PA 16407
(724) 940-7556 ext. 138 Fax (724) 940-7707 www.cormic.com

Corry Micronics Inc. herein referred to CMI, believes this information to be accurate, but makes no warranties, expressed or implied as to the accuracy of this document. CMI assumes no liability for any injury, loss, damage, direct or consequential arising from the use of our products. User assumes all risk whatsoever in connection with its intended use. CMI also reserves the right to change this document without notice. 9/18/2018

Response



CALL OUR SALES DEPARTMENT FOR MORE INFORMATION OR VARIATIONS OF THIS PRODUCT.

Corry Micronics, Inc. One Plastics Rd. - Corry, PA 16407
(724) 940-7556 ext. 138 Fax (724) 940-7707 www.cormic.com

Corry Micronics Inc. herein referred to CMI, believes this information to be accurate, but makes no warranties, expressed or implied as to the accuracy of this document. CMI assumes no liability for any injury, loss, damage, direct or consequential arising from the use of our products. User assumes all risk whatsoever in connection with its intended use. CMI also reserves the right to change this document without notice. 09/18/2018