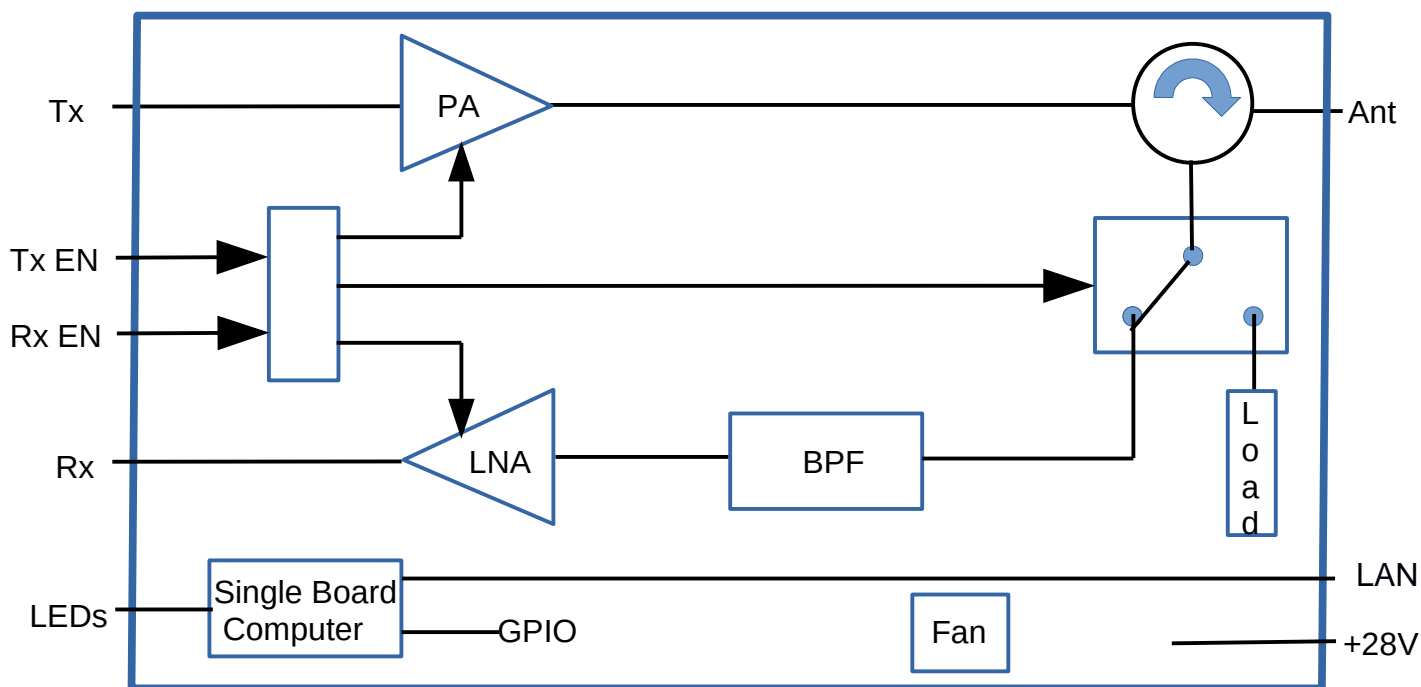




LTEMOD-2350M

Band 40 TDD LTE Filter And Amplifier Module

The LTEMOD-2350M is a filter and amplifier module for LTE signals in the 2300 to 2400 MHz band that is designed to mount in a single slot of a four slot 3U, 19" chassis. The module supports unpaired Time Division Duplex spectrum. It has separate low power level Receive and Transmit ports for interfacing to a Software Defined Radio and provides the necessary switching to enable and disable the Receive and Transmit signals using real time control from the SDRs. The module can be monitored and controlled over a LAN.



Module Block Diagram

CALL OUR SALES DEPARTMENT FOR MORE INFORMATION OR VARIATIONS OF THIS PRODUCT.

Corry Micronics, Inc. One Plastics Rd. - Corry, PA 16407

(724) 940-7556 ext. 138 Fax (724) 940-7707 www.cormic.com

Corry Micronics Inc. herein referred to CMI, believes this information to be accurate, but makes no warranties, expressed or implied as to the accuracy of this document. CMI assumes no liability for any injury, loss, damage, direct or consequential arising from the use of our products. User assumes all risk whatsoever in connection with its intended use. CMI also reserves the right to change this document without notice. 05/01/2019



CORRY MICRONICS, INC PRODUCT SPECIFICATION

Electrical Specifications	
Parameter	Specification
Frequency Range Tx and Rx	2300 - 2400 MHz
Signal Type	LTE PAR 9.8dB
Nominal Gain- Tx to Antenna port	49 dB (+/- 1 dB)
Nominal Output Power	25 W
EVM @ Nominal Ouput with ALC On	8% Max
ACLR	-45dBc Min
Rx Noise Figure	6 dB Max
Rx Gain	23 dB +/- 2 dB
Rx Antenna Port Return Loss	10 dB
Tx Antenna Port Return Loss	14 dB
Switch Time	2usec, 50% control to 10%/90% RF Level
Tx/ Rx Ports RF Connectors	SMA Female
Antenna Port Connector	Type N Female
Supply Voltage	+28 VDC
Power Consumption at Nominal Output Power	215 W
Power Consumption when Muted	17 W max
Output Load Mismatch Protection	Amplifier output protected with circulator
LAN Port	10/100 BASE-T
Tx/Rx Control Signals	RS-485

Mechanical / Environmental Specifications	
Parameter	Specification
Dimensions	See drawing
Weight	7 kg
Operating Temperature	0 – 50 degrees C

CALL OUR SALES DEPARTMENT FOR MORE INFORMATION OR VARIATIONS OF THIS PRODUCT.

Corry Micronics, Inc. One Plastics Rd. - Corry, PA 16407
(724) 940-7556 ext. 138 Fax (724) 940-7707 www.cormic.com

Corry Micronics Inc. herein referred to CMI, believes this information to be accurate, but makes no warranties, expressed or implied as to the accuracy of this document. CMI assumes no liability for any injury, loss, damage, direct or consequential arising from the use of our products. User assumes all risk whatsoever in connection with its intended use. CMI also reserves the right to change this document without notice. 05/01/2019



CORRY MICRONICS, INC PRODUCT SPECIFICATION

Control / Indicators	
Feature	Description
DC Power Connector	Rear Panel Mounted Locking Plug Molex P/N 0194290026 Mates to Molex P/N 19418-0007
TX/RX Control Port	Front Panel Mounted RJ-11 Connector
DC Power Switch	Front Panel Mounted 10A Circuit Breaker
DC Power Indicator	Front Panel LED Illuminated= DC Voltage Connected and Switched On
RF Indicator	Front Panel LED Illuminated Green= RF Transmit Parameters OK Illuminated Red= RF Transmit Parameter Fault
Status LED	Front Panel LED Indicating Module Status Booting: Blinking Green Healthy: Solid Green
Reset / Default Settings	Recessed Switch Accessible Through Front Panel
Control and Communications Protocol	Telnet over TCP/IP
Control and Communications Connector Type	Rear Panel Mounted RJ45
GPIO (future use)	5 Inputs, 5 Outputs Opto Coupler Output, with Common Return Digital Current Loop Inputs, with Common Return
GPIO Connector Type, located internal to module	Dsub15 Pin Female

CALL OUR SALES DEPARTMENT FOR MORE INFORMATION OR VARIATIONS OF THIS PRODUCT.

Corry Micronics, Inc. One Plastics Rd. - Corry, PA 16407

(724) 940-7556 ext. 138 Fax (724) 940-7707 www.cormic.com

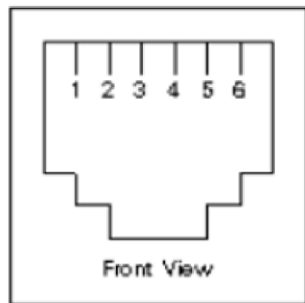
Corry Micronics Inc. herein referred to CMI, believes this information to be accurate, but makes no warranties, expressed or implied as to the accuracy of this document. CMI assumes no liability for any injury, loss, damage, direct or consequential arising from the use of our products. User assumes all risk whatsoever in connection with its intended use. CMI also reserves the right to change this document without notice. 05/01/2019



CORRY MICRONICS, INC PRODUCT SPECIFICATION

TCP/IP Parameters					
Name	Type	Description	Range	Resolution	Accuracy
Mute	Control	Reduces Amplifier Output to a Low Level	On/Off	N/A	N/A
Forward Power	Status	RF Output Power from Amplifier	30dB, 47.5dBm-18.5dBm	0.1 dBm	+/-2dB
Temperature	Status	Present Amplifier Temperature	-40C to +105C	1C	+/-3C
Forward Return Loss	Status	Calculated Amplifier Load Return Loss	30dB, 0db- 30dB	.1dB	+/-4dB
DC Current	Status	Amplifier Current Draw	0-15 A	0.1A	+/-5%
Fan Alarm	Status	Fan Malfunction Alarm	On/Off	N/A	N/A
Over Temp Alarm	Status	Amplifier High Temperature Alarm	On/Off	N/A	N/A
Return Loss Alarm	Status	Alarm Indicating Return Loss is Below the Threshold	On/Off	N/A	N/A

Tx/Rx Control Logic					
Mode	TxEn+	TxEn-	RxEn+	RxEn-	State
Receive	0	1	1	0	Tx Off, Rx On
Transmit	1	0	0	1	Tx On, Rx Off
Mute	0	1	0	1	Tx Off, Rx Off
Invalid	1	0	1	0	Tx Off, Rx Off



Pin #	Function
1	TxEn +
2	RxEn +
3	Unused
4	Unused
5	RxEn -
6	TxEn-

Mechanical Drawing

CALL OUR SALES DEPARTMENT FOR MORE INFORMATION OR VARIATIONS OF THIS PRODUCT.

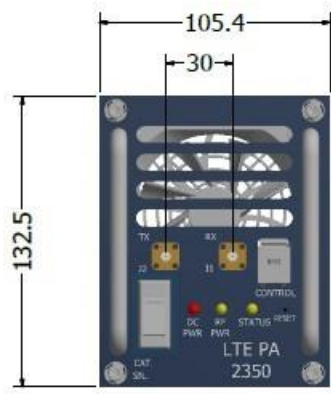
Corry Micronics, Inc. One Plastics Rd. - Corry, PA 16407

(724) 940-7556 ext. 138 Fax (724) 940-7707 www.cormic.com

Corry Micronics Inc. herein referred to CMI, believes this information to be accurate, but makes no warranties, expressed or implied as to the accuracy of this document. CMI assumes no liability for any injury, loss, damage, direct or consequential arising from the use of our products. User assumes all risk whatsoever in connection with its intended use. CMI also reserves the right to change this document without notice. 05/01/2019



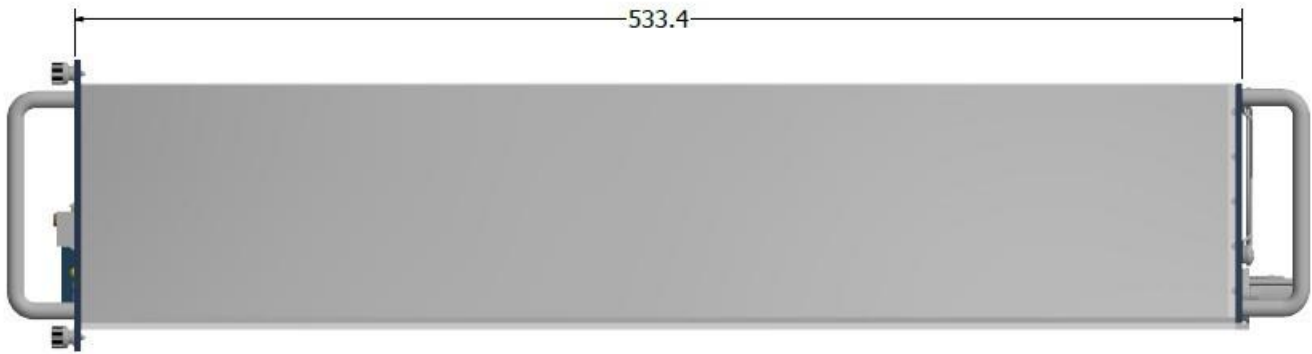
CORRY MICRONICS, INC PRODUCT SPECIFICATION



FRONT



BACK



Dimensions in mm

CALL OUR SALES DEPARTMENT FOR MORE INFORMATION OR VARIATIONS OF THIS PRODUCT.

Corry Micronics, Inc. One Plastics Rd. - Corry, PA 16407

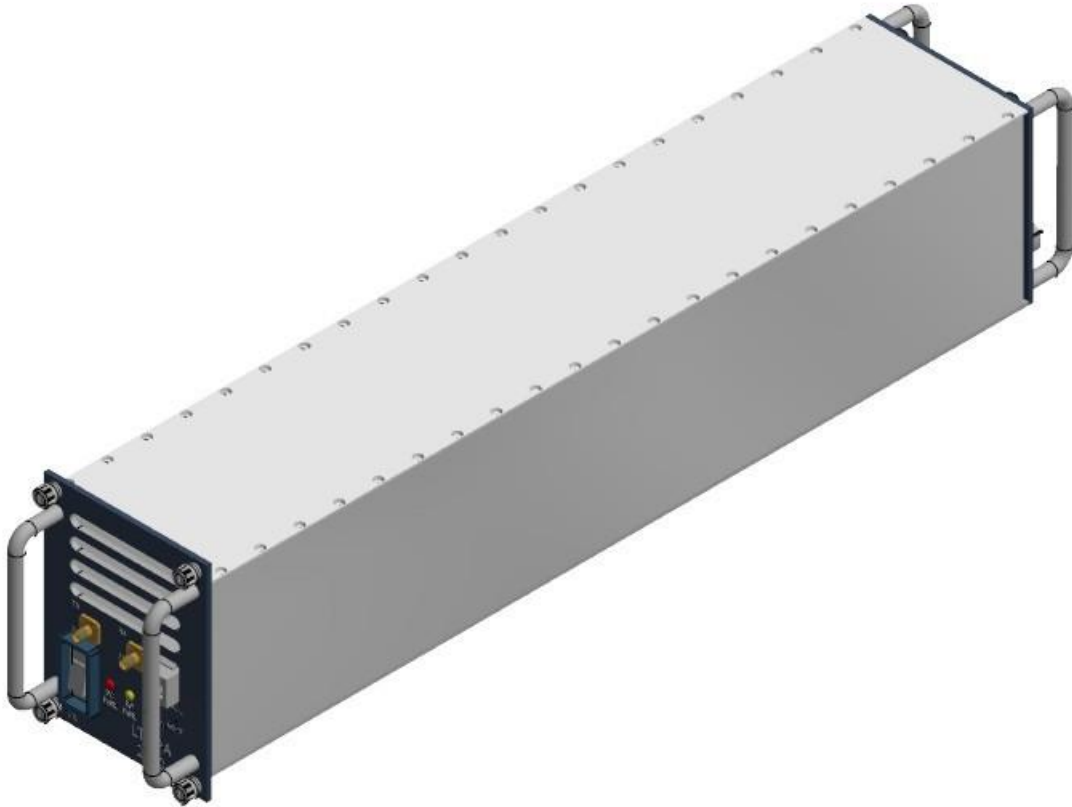
(724) 940-7556 ext. 138 Fax (724) 940-7707 www.cormic.com

Corry Micronics Inc. herein referred to CMI, believes this information to be accurate, but makes no warranties, expressed or implied as to the accuracy of this document. CMI assumes no liability for any injury, loss, damage, direct or consequential arising from the use of our products. User assumes all risk whatsoever in connection with its intended use. CMI also reserves the right to change this document without notice. 05/01/2019



CORRY MICRONICS, INC PRODUCT SPECIFICATION

Isometric View



CALL OUR SALES DEPARTMENT FOR MORE INFORMATION OR VARIATIONS OF THIS PRODUCT.

Corry Micronics, Inc. One Plastics Rd. - Corry, PA 16407
(724) 940-7556 ext. 138 Fax (724) 940-7707 www.cormic.com

Corry Micronics Inc. herein referred to CMI, believes this information to be accurate, but makes no warranties, expressed or implied as to the accuracy of this document. CMI assumes no liability for any injury, loss, damage, direct or consequential arising from the use of our products. User assumes all risk whatsoever in connection with its intended use. CMI also reserves the right to change this document without notice. 05/01/2019