



CORRY MICRONICS, INC PRODUCT SPECIFICATION

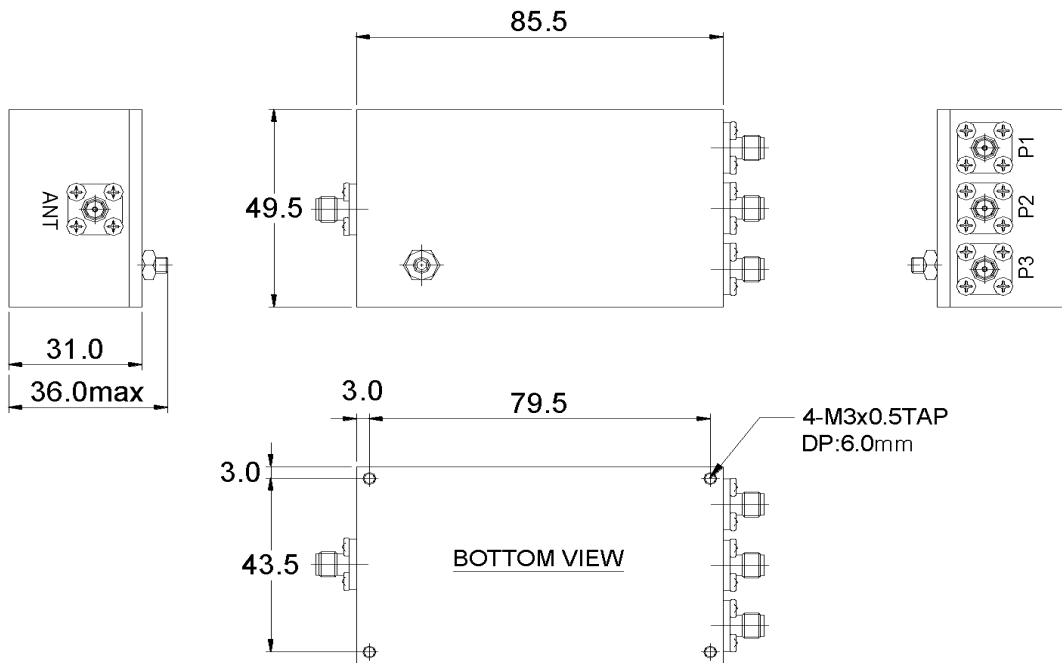
CMI3-1.9-2.14-2.6

TX Triplexer

BANDS 3/25, BANDS 1/10, BANDS 7/41

Parameter	Specification
Band 3/25 Passband	1805MHz -1995MHz
Band 1/10 Passband	2110MHz - 2170MHz
Band 7/41 Passband	2620MHz - 2690MHz
Passband Insertion Loss	0.5dB
Rejection	60dB @ 2Fo 50dB @ 3Fo
Return Loss	15dB Min.
Operating Temperature	-40°C to +50°C
Connectors	SMA, Female
Dimensions	All Dimensions are in mm

Outline Drawing



CALL OUR SALES DEPARTMENT FOR MORE INFORMATION OR VARIATIONS OF THIS PRODUCT.

Corry Micronics, Inc. One Plastics Rd. - Corry, PA 16407

(724) 940-7556 ext. 138 Fax (724) 940-7707 www.cormic.com

Corry Micronics Inc. herein referred to CMI, believes this information to be accurate, but makes no warranties, expressed or implied as to the accuracy of this document. CMI assumes no liability for any injury, loss, damage, direct or consequential arising from the use of our products. User assumes all risk whatsoever in connection with its intended use. CMI also reserves the right to change this document without notice. 4/15/2019