



# CORRY MICRONICS, INC PRODUCT SPECIFICATION

## **RFMS8X8-1-18GNB**

### **8x8 Switch Matrix**

The Matrix consists of 8 through channels with the ability to switch any one input channel to any output channel. The Matrix features redundant power supplies, +18 dBm RF Power capability per port, active gain circuitry to compensate switching losses and operates from 1 GHz to 18 GHz.

#### **Electrical Specifications**

<b>Parameter</b>	<b>Specification</b>
Frequency	1 GHz – 18 GHz
RF Power In	+18 dBm Max
RF Gain	-3 dB to +3 dB
Output Power P1dB compression	+20 dBm Min.
NF	27 dB
Gain Slope	1 dB over any 40 MHz band Max
Isolation	60 dB
VSWR	2.0:1 Min
Inputs	8
Outputs	8
Delay Balance	10 nsec Max
Signal Flow	Uni-Directional
Matrix Type	Non-Blocking- Single Input to Multiple Outputs
Switching Time	20 ms, not including network delay or command processing
Switching Cycles	1000000
Switch Type	Normally Open
RF Connector	SMA Female
Power Supply	110/220 VAC
Control	Ethernet
Enclosure	19" Rack Mount 4U High 22" Depth
Weight	44 lbs (20 kg)
Operating Temperature	0 - 50°C
Redundancy	Internal redundant power supplies

**CALL OUR SALES DEPARTMENT FOR MORE INFORMATION OR VARIATIONS OF THIS PRODUCT.**

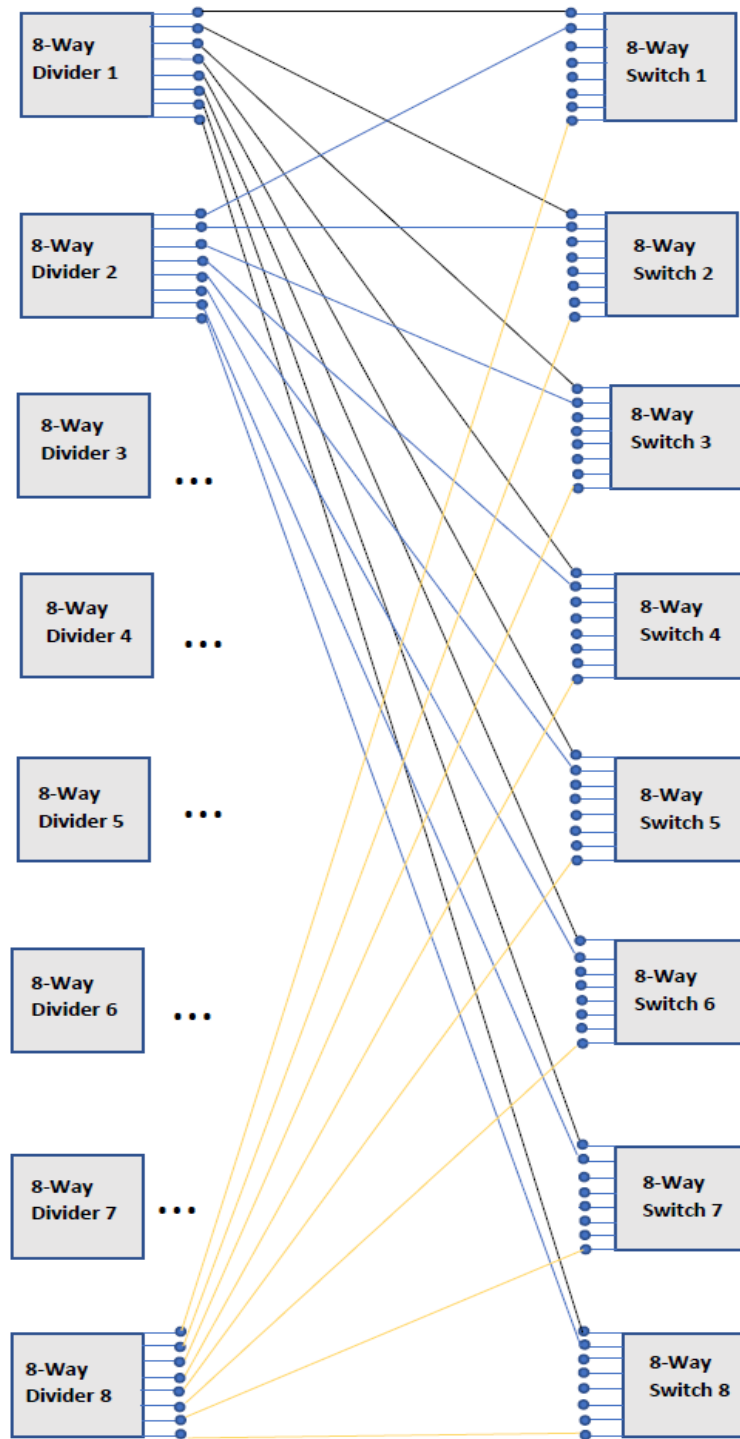
**Corry Micronics, Inc. One Plastics Rd. - Corry, PA 16407**  
**(724) 940-7556 ext. 138 Fax (724) 940-7707 [www.cormic.com](http://www.cormic.com)**

Corry Micronics Inc. herein referred to CMI, believes this information to be accurate, but makes no warranties, expressed or implied as to the accuracy of this document. CMI assumes no liability for any injury, loss, damage, direct or consequential arising from the use of our products. User assumes all risk whatsoever in connection with its intended use. CMI also reserves the right to change this document without notice. 01/30/2020



# CORRY MICRONICS, INC PRODUCT SPECIFICATION

## 8X8 Switch Block Diagram



**CALL OUR SALES DEPARTMENT FOR MORE INFORMATION OR VARIATIONS OF THIS PRODUCT.**

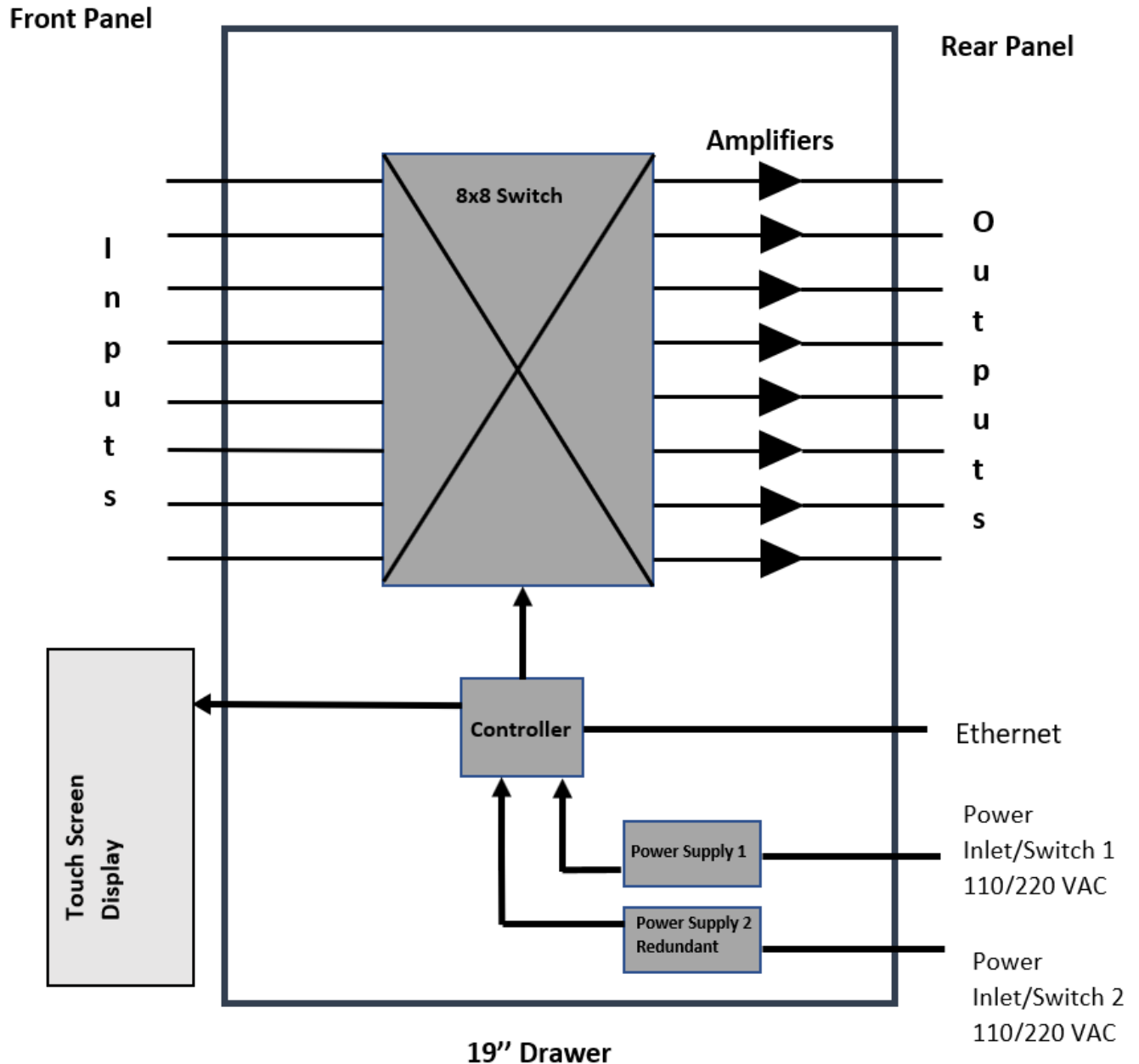
**Corry Micronics, Inc. One Plastics Rd. - Corry, PA 16407**  
**(724) 940-7556 ext. 138 Fax (724) 940-7707 [www.cormic.com](http://www.cormic.com)**

Corry Micronics Inc. herein referred to CMI, believes this information to be accurate, but makes no warranties, expressed or implied as to the accuracy of this document. CMI assumes no liability for any injury, loss, damage, direct or consequential arising from the use of our products. User assumes all risk whatsoever in connection with its intended use. CMI also reserves the right to change this document without notice. 01/30/2020



# CORRY MICRONICS, INC PRODUCT SPECIFICATION

## System Block Diagram



**CALL OUR SALES DEPARTMENT FOR MORE INFORMATION OR VARIATIONS OF THIS PRODUCT.**

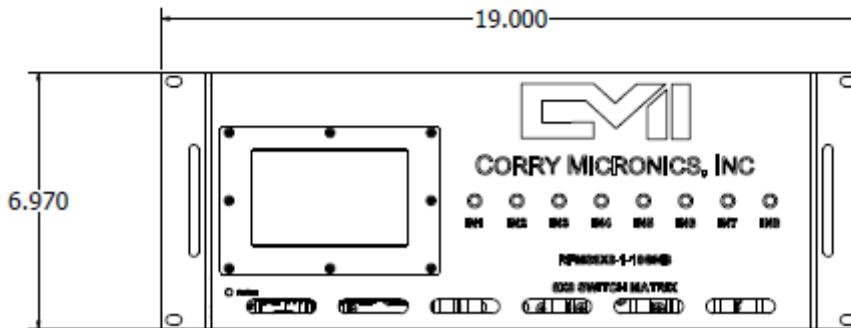
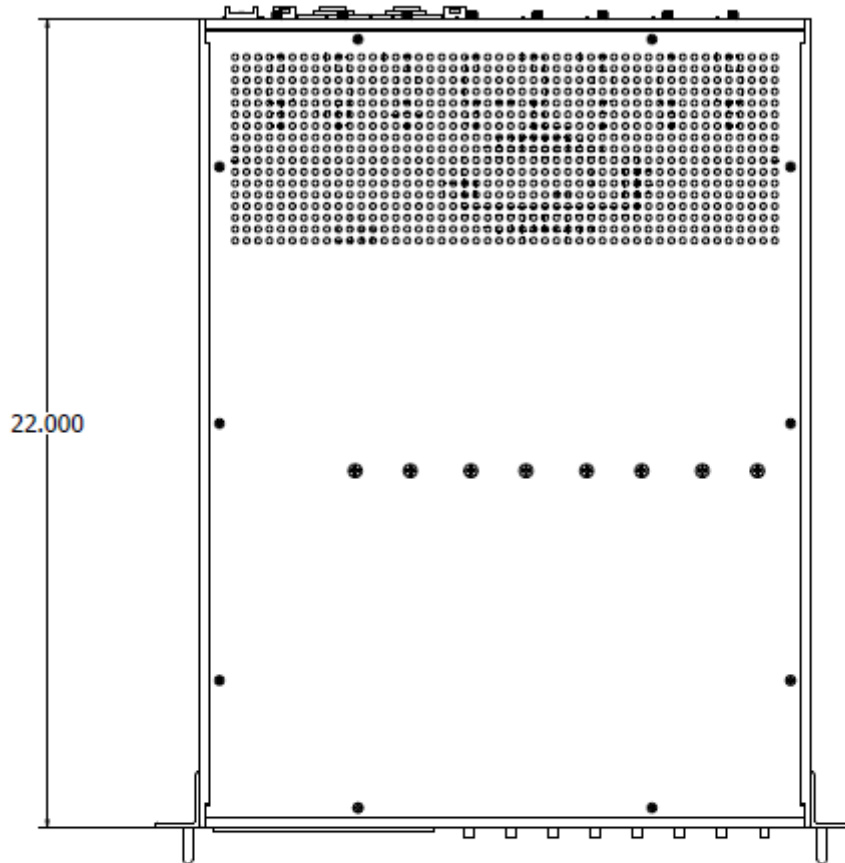
**Corry Micronics, Inc. One Plastics Rd. - Corry, PA 16407**  
**(724) 940-7556 ext. 138 Fax (724) 940-7707 [www.cormic.com](http://www.cormic.com)**

Corry Micronics Inc. herein referred to CMI, believes this information to be accurate, but makes no warranties, expressed or implied as to the accuracy of this document. CMI assumes no liability for any injury, loss, damage, direct or consequential arising from the use of our products. User assumes all risk whatsoever in connection with its intended use. CMI also reserves the right to change this document without notice. 01/30/2020



# CORRY MICRONICS, INC PRODUCT SPECIFICATION

## Outline Drawing



Front View

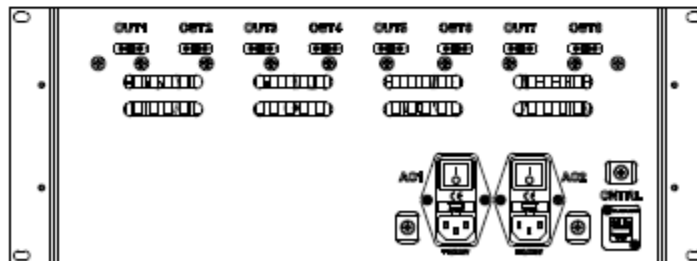
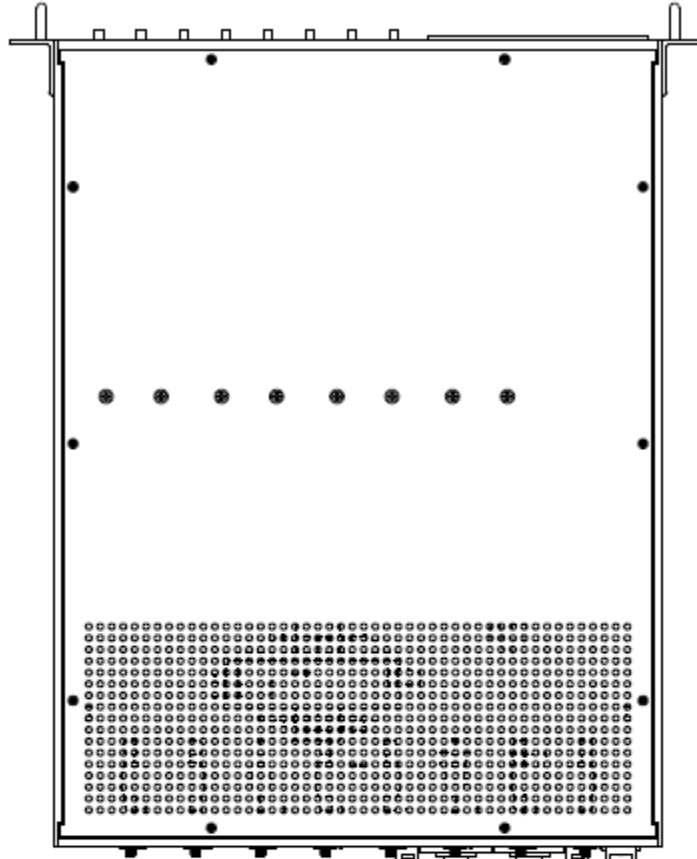
**CALL OUR SALES DEPARTMENT FOR MORE INFORMATION OR VARIATIONS OF THIS PRODUCT.**

**Corry Micronics, Inc. One Plastics Rd. - Corry, PA 16407**  
**(724) 940-7556 ext. 138 Fax (724) 940-7707 [www.cormic.com](http://www.cormic.com)**

Corry Micronics Inc. herein referred to CMI, believes this information to be accurate, but makes no warranties, expressed or implied as to the accuracy of this document. CMI assumes no liability for any injury, loss, damage, direct or consequential arising from the use of our products. User assumes all risk whatsoever in connection with its intended use. CMI also reserves the right to change this document without notice. 01/30/2020



# CORRY MICRONICS, INC PRODUCT SPECIFICATION



Rear View

**CALL OUR SALES DEPARTMENT FOR MORE INFORMATION OR VARIATIONS OF THIS PRODUCT.**

**Corry Micronics, Inc. One Plastics Rd. - Corry, PA 16407**  
**(724) 940-7556 ext. 138 Fax (724) 940-7707 [www.cormic.com](http://www.cormic.com)**

Corry Micronics Inc. herein referred to CMI, believes this information to be accurate, but makes no warranties, expressed or implied as to the accuracy of this document. CMI assumes no liability for any injury, loss, damage, direct or consequential arising from the use of our products. User assumes all risk whatsoever in connection with its intended use. CMI also reserves the right to change this document without notice. 01/30/2020