



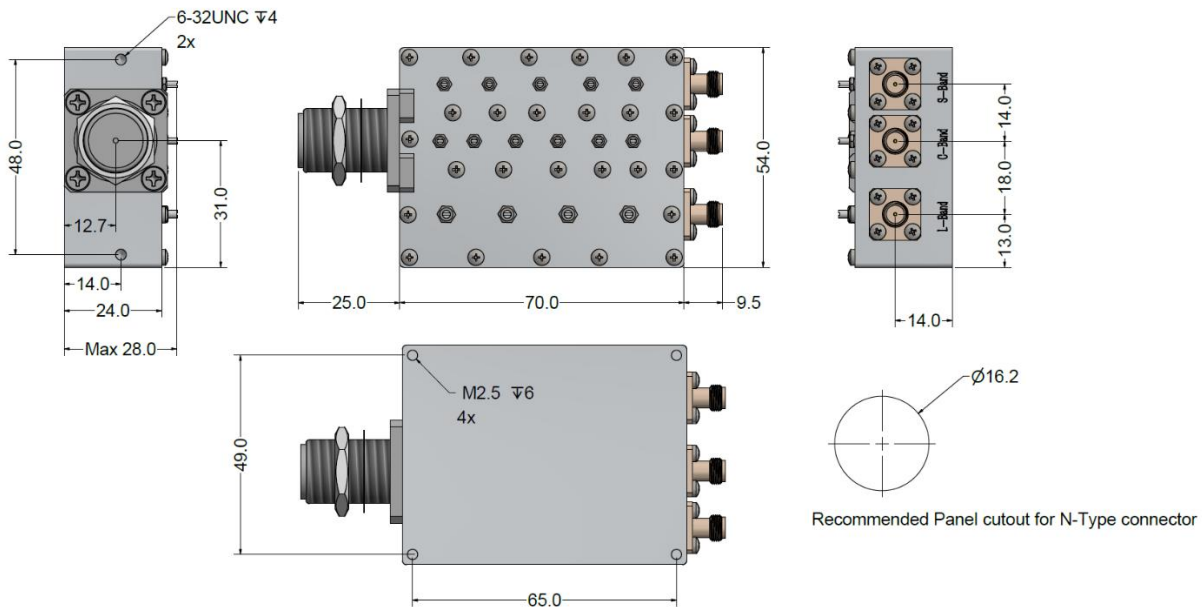
CORRY MICRONICS, INC PRODUCT SPECIFICATION

CMIMUX3-90DB-03A Cavity Triplexer

Electrical Specifications

Parameters	Specifications		
	L-Band	S-Band	C-Band
Frequency Range	1350~1390MHz	2200~2400MHz	4400~5000MHz
Insertion Loss	≤ 0.8 dB	≤ 0.8 dB	≤ 0.8 dB
VSWR	≤ 1.7:1	≤ 1.7:1	≤ 1.7:1
Port Isolation	≥ 90dB@1350~1390MHz ≥ 90dB@ 2200~2400MHz ≥ 90dB@ 4400~5000MHz		
Max. Input Power	5W CW; 15W Peak		
Operating Temperature	-40° ~+70° C		
Connector	N-Female Low-Profile Bulkhead / SMA-Female		
Surface Finish	Natural Color Conductive Oxidation		
Waterproof Rating	IP67		
Dimensions	See Attached Drawing (All dimensions are in mm)		

Mechanical Drawing



CALL OUR SALES DEPARTMENT FOR MORE INFORMATION OR VARIATIONS OF THIS PRODUCT.

Corry Micronics, Inc. One Plastics Rd. - Corry, PA 16407
(724) 940-7556 ext. 138 Fax (724) 940-7707 www.cormic.com

Corry Micronics Inc. herein referred to CMI, believes this information to be accurate, but makes no warranties, expressed or implied as to the accuracy of this document. CMI assumes no liability for any injury, loss, damage, direct or consequential arising from the use of our products. User assumes all risk whatsoever in connection with its intended use. CMI also reserves the right to change this document without notice. 04/03/2020